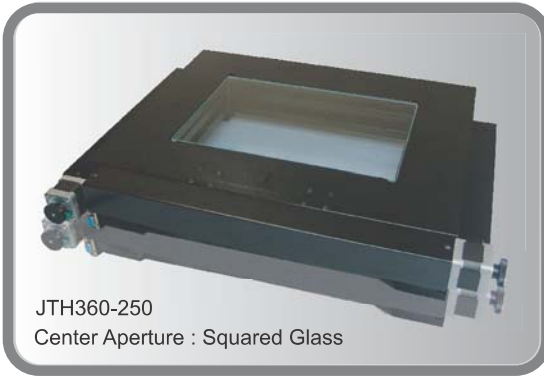
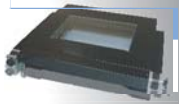


JTH360-250 | Microscope Motorized Stage System

JT360-250



- Stage Platform Dimension : 460 x 360 mm
- Center Glass Dimension : 300 x 200 um
- Resolution : $\pm 1.25 \mu\text{m}$
- Repeatability : $\pm 1.25 \mu\text{m}$ with 100 mm travel
- Straightness : $\pm 0.008 \text{ mm}$
- Heavy Duty Load : 60 kg
- To order Imperial model please add * I * to Item

自動定位系統

Optical Table

Stage

Optics Mounts

Post & Component

Motion System

- Microscope Motorized Stage System

JTH360 - 250
JT360 - 250

Educations

Laser Equipment

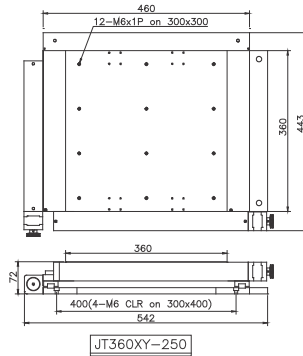
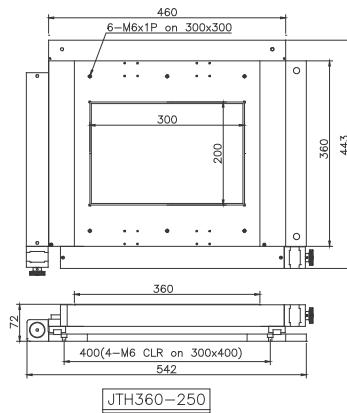
Lasers

Optics & Crystals

F
E
A
T
U
R
E
S

- High accuracy T1 preformed rigid linear rail (more precision UP rail is available)
- Features C7 ball-screw rod driven for high loading (Higher class rod is available)
- High speed coupling connecting two phase stepping motors and main axis screw rod
- Tackle-limit switch protecting signals from effect of oil, temperature and noise
- Large platform design

JTH 360 - 250 & JT360XY - 250



JT360-250
Solid Platform

Part Number	Design	Travel Range	Position Accuracy	Weight
JTH360-250	Center Aperture	250 x 150 mm	$\pm 0.02 / 250(\text{C7})\text{mm}$	28 kg
JT 360-250	Solid Platform	250 x 150 mm	$\pm 0.02 / 300(\text{C7})\text{mm}$	29 kg