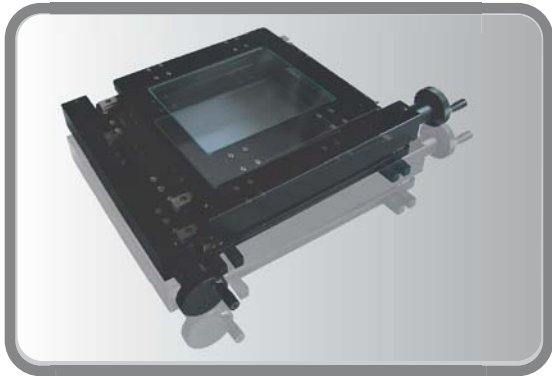


HJT-series  
HJTH-series

Microscope Motorized  
Linear Stage



- Stage Platform Dimension : 200 x 225 mm
- Center Glass Dimension : 122 x 145 mm
- Resolution : 0.625  $\mu$ m
- C7 Repeatability :  $\pm$  0.008 within 100 mm travel
- Straightness :  $\pm$  0.005 mm
- Load capacity : 50 kg
- To order Imperial model please add \* I \* to Item

FEATURES

- High accuracy T1 preformed rigid linear rail ( more precision UP rails also available )
- Features C7 ball-screw rod driven for high loading ( Higher class rod is available )
- Utilizing hand wheel movement to allow rapid stage movement
- Both hollow and non-hollow version available
- Optical ruler can be added
- Parts can be extended in order to form a motorized stage

自動定位系統

Optical Table

Stage

Optics Mounts

Post & Component

Motion System

Microscope Motorized Linear Stage

HJT - series  
HJTH - series

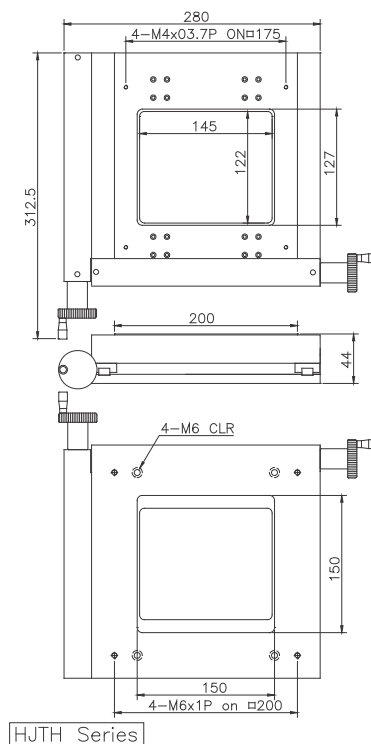
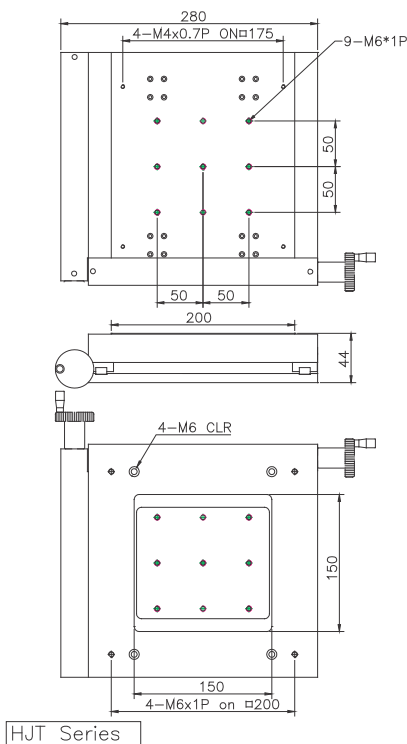
Educations

Laser Equipment

Lasers

Optics & Crystals

HJT & HJTH - series



Item Number	Driven Type	Weight	Travel Range
HJTH200-100	Manual	7.8 kg	XY=100
HJTH200-100	Motorized w / Manual	8.5 kg	XY=100
HJT200-100	Motorized w / Manual	8.6 kg	XY=100
HJT200-100	Motorized w / Manual	9.4 kg	XY=100