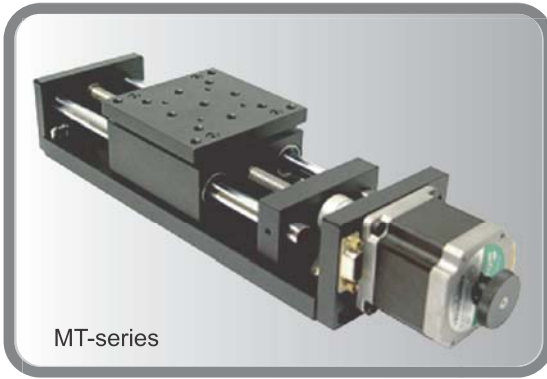


MT-series General Motion Control Stages



自動定位系統

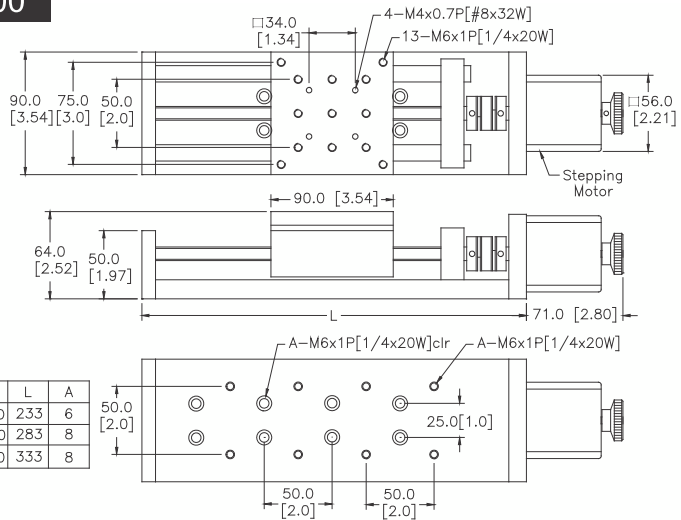


- Tackle limit switch makes the signals independent of oil, temp and noise
- High speed coupling couples the stepper and main axis screw rod
- Driven by two phase stepper motors and micro-stepping controller
- To order Imperial model please add * I * to Item

F
E
A
T
U
R
E
S

- Along main axis linear bearing makes the movement more smoothly
- High rigid chrome plating hardened main axis rod is specially within Ra 0.2 μm ~ 0.4 μm surface accuracy
- Class C7 ball-bearing screw rod (Higher class rod is available)
- Customeral specifications upon request

MT90- 50 / 100 / 150 / 200



ITEM#	L	A
MT90-50	233	6
MT90-100	283	8
MT90-150	333	8

Item Number	Travel length (mm)	Platform Dimensions (mm)	Load capacity (Kg)	Resolution (μm)	Repeatability \pm (μm)	Position Accuracy \pm (mm)	Straightness \pm (mm)	Weights (Kg)
MT90-50	50	90x90	15	1.25	1.25	0.017/100	0.015	2.6
MT90-100	100	90x90	10	1.25	1.25	0.017/100	0.015	3.3
MT90-150	150	90x90	10	1.25	1.25	0.035/200	0.015	4.1
MT90-200	200	90x90	20	2.5	2.5	0.035/200	0.015	4.85
MT90-300	300	90x90	15	2.5	2.5	0.05/300	0.015	6.25
MT120-200	200	120x120	20	2.5	2.5	0.05/200	0.025	4.85
MT120-300	300	120x120	15	2.5	2.5	0.05/300	0.025	6.25
MT120-400	400	120x120	20	2.5	2.5	0.05/300	0.02	9.3
MT120-500	500	120x120	15	2.5	2.5	0.05/300	0.02	10.5

Optical Table

Stage

Optics Mounts

Post & Component

Motion System

General Motion Control Stages

MT-series

Educations

Laser Equipment

Lasers

Optics & Crystals