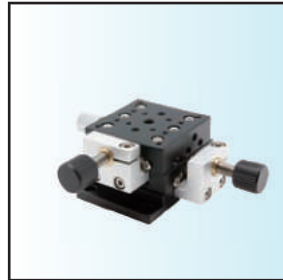
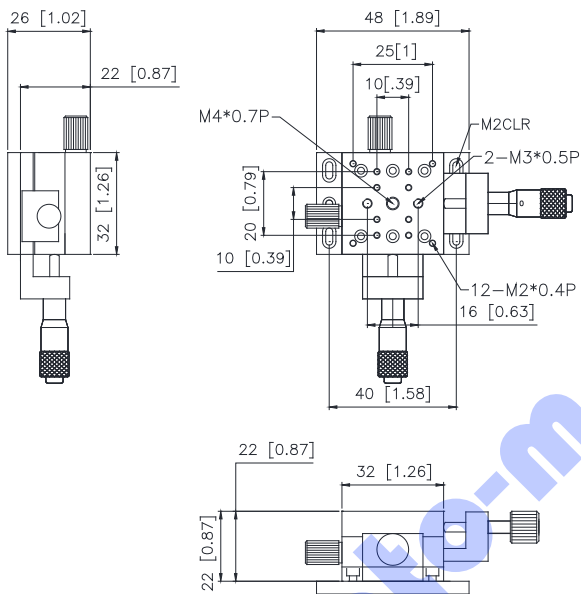


TCS32-XY-03

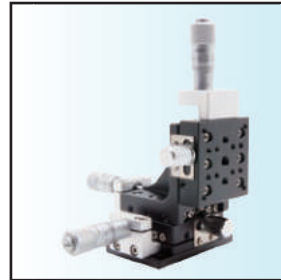


TCS32-XY-03A

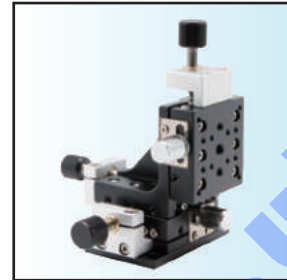
TCS32-XY-03



TCS32-XY-03A

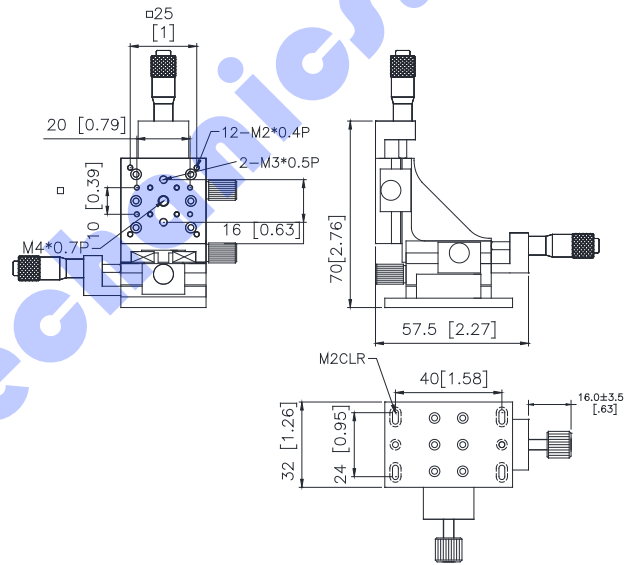


TCS32-XYZ-03



TCS32-XYZ-03A

TCS32-XYZ-03



TCS32-XYZ-03A

### Item Numbers

- **SC** = Stainless Steel V-Grooved Crossed Roller Bearings
- **M** = Micrometer / **100** = 100 pitch screw / **130** = 130 pitch screw
- **I** = To order Imperial model please add \*I-\* to Item number

Item Number	Drive Type (mm)	Travel Guide	Moving Parallelism (mm)	Read Resolution (mm)	Travel Range (mm)	Repeatability (mm)	Weight / Load (kg)
TCS32-03	M	SC	± 0.003	0.01	± 3.5	0.003	0.06 / 5
TCS32-03A	100	SC	± 0.003	----	± 3.5	0.003	0.06 / 5
TCS32-03F	130	SC	± 0.003	0.01	± 3.5	0.003	0.06 / 5
TCS32-XY-03	M	SC	± 0.003	----	± 3.5	0.003	--- / ---
TCS32-XY-03A	100	SC	± 0.003	----	± 3.5	0.003	--- / ---
TCS32-XY-03F	130	SC	± 0.003	0.01	± 3.5	0.003	--- / ---
TCS32-XYZ-03	M	SC	± 0.003	----	± 3.5	0.003	--- / ---
TCS32-XYZ-03A	100	SC	± 0.003	----	± 3.5	0.003	--- / ---
TCS32-XYZ-03F	130	SC	± 0.003	0.01	± 3.5	0.003	--- / ---