



TC
90H

TS
90H

TCS
90H

TSS
90H

1" Travel Range Linear Stages (90 x 90 mm Center Hole)

Optical Tables

Stages

Optical Mounts

Components

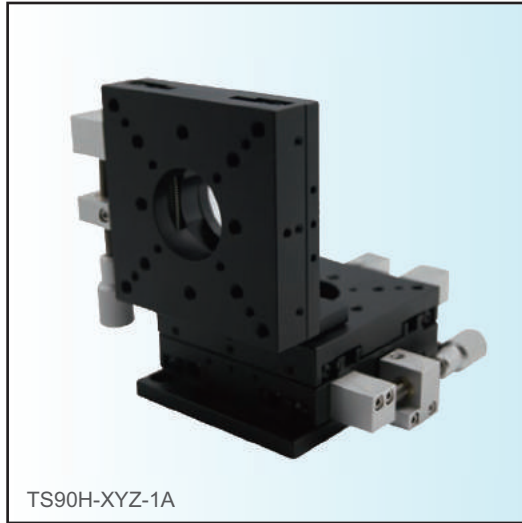
Motion Systems

Education Systems

Lasers

Optics & Crystals

Other Equipment



TS90H-XYZ-1A

Overview

- Stage Dimension : 90 x 90 mm
- Travel Range : 1" (± 12.7 mm)
- Stage Material : Aluminum (black anodized)
- Rail : (TC/TS) V-Grooved crossed roller bearing
- Rail : (TCS/TSS) Stainless steel V-Grooved crossed roller bearing
- Ø36mm Aperture in the platform center
- Central / Side Driven
- Additional locking plate for greater stability
- Allows assembly of 2 or 3-axis stages with angle brackets
- 100 pitch adjustment screws or micrometer available
- Metric / Imperial versions available
- To order Imperial model please add * I- * to Item

Specification

2

OPTIONS

of rail & bearing type for better precision movement

1

Crossed Roller Bearing (AC)



TC/TS90H-series

V-Grooved raceway on the dedicated rail for achieving high precision, stability and larger load capacity.

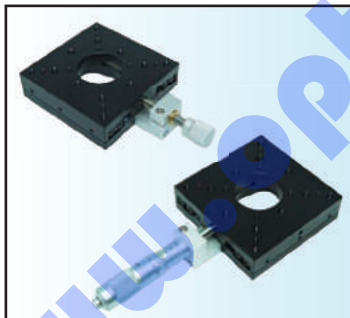
2

V-Grooved Crossed Roller Bearing (VC)



TCS/TSS90H-series

Crossed-roller bearing preloaded provides smooth, stable and negligible backlash adjustment

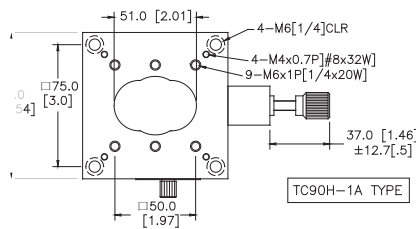


TC90H / TCS90H - Central



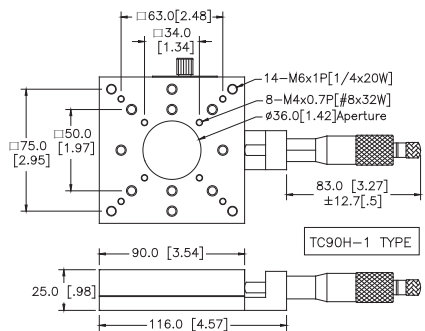
TS90H / TSS90H - Side

TC90H / TCS90H - 1A

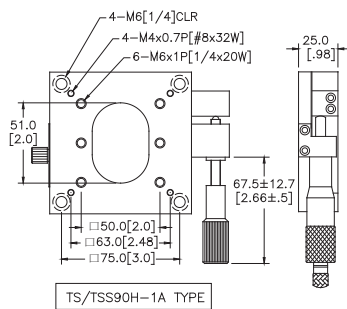


TC90H-1A TYPE

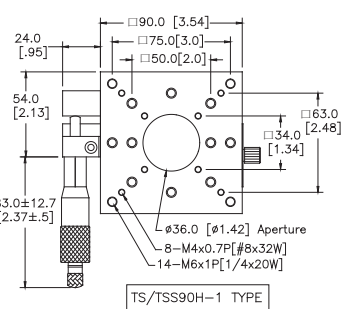
TC90H / TCS90H - 1



TC90H-1 TYPE



TS/TSS90H-1A TYPE



TS/TSS90H-1 TYPE

TS90H / TSS90H - 1A

TS90H / TSS90H - 1

