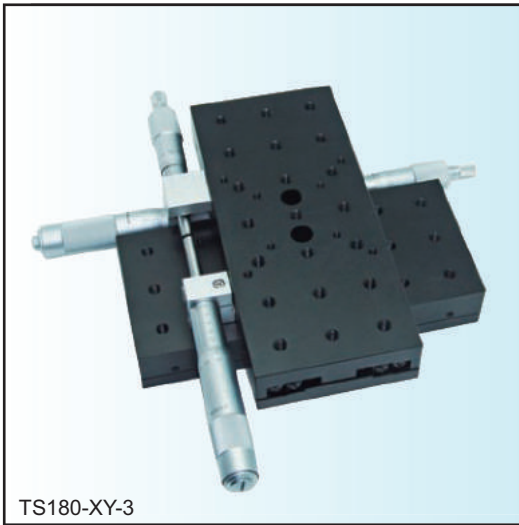


3" Travel Range Linear Stages (180 x 80 mm)



TS180-XY-3

Overview

- Stage Dimension : 180 x 80 mm
- Travel Range : 3" (± 38.0 mm)
- Load Capacity: 20~40 kg
- Stage Material : Aluminum (black anodized)
- Micrometer or adjustment screws driven at side position
- Rail : (TC/TS) V-Grooved crossed roller bearing
- Rail : (TCS/TSS) Stainless steel V-Grooved crossed roller bearing
- Allows assembly of 3-axis stages with vertical bracket (VAB-150)
- Metric / Imperial Versions available
- To order Imperial model please add * I-* to Item number

Specification

2

OPTIONS
of rail design for better precision movement

1

Crossed Roller Bearing (AC)



TC/TS180-series

V-Grooved raceway on the dedicated rail for achieving high precision, stability and larger load capacity.

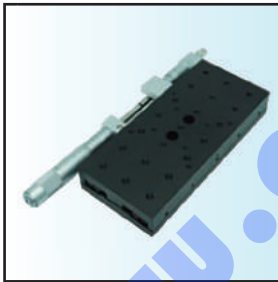
2

V-Grooved Crossed Roller Bearing (VC)



TCS/TSS180-series

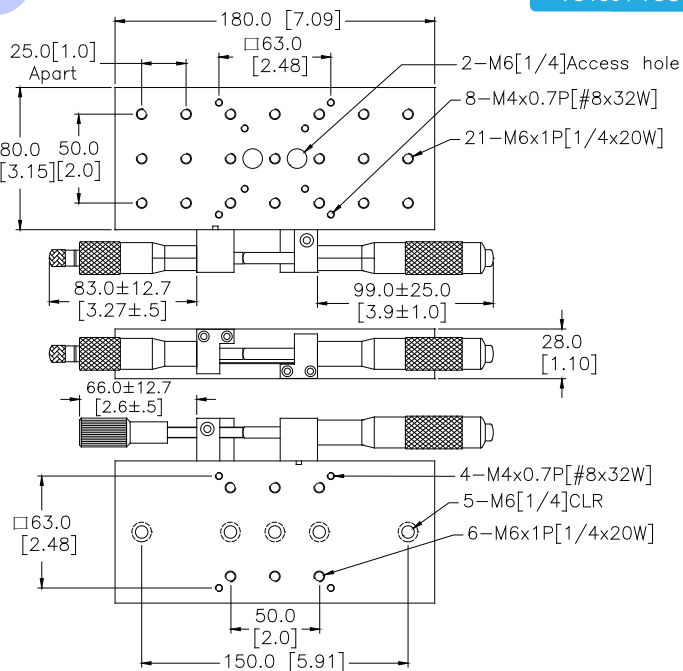
Crossed-roller bearing preloaded provides smooth, stable and negligible backlash adjustment



TS180 / TSS180 - 3



TS180 / TSS180 - 3A



Please see the following page for more product information of TS / TSS 180 - series ▶