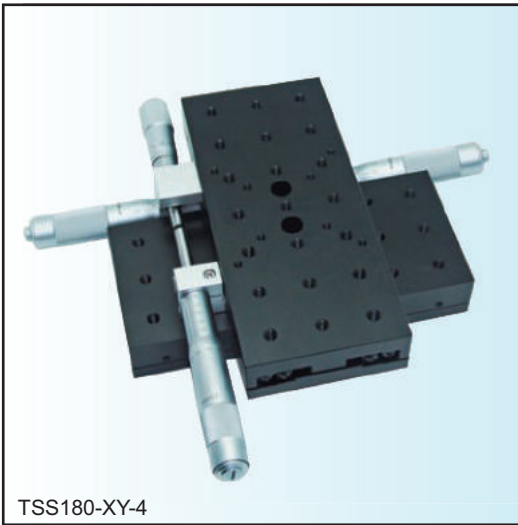


4" Travel Range Linear Stages (180 x 80 mm)

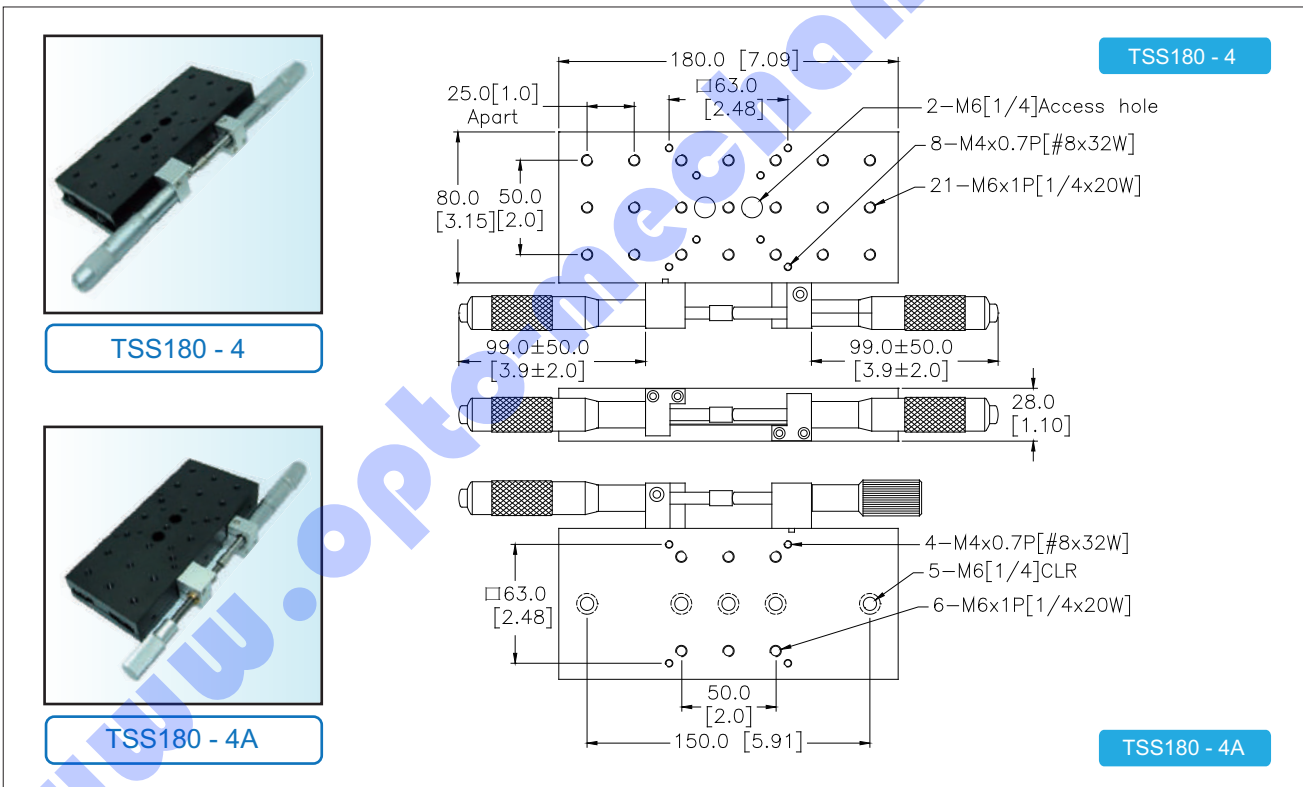


TSS180-XY-4

Overview

- Stage Dimension : 180 x 80 mm
- Travel Range : 4" (± 50.0 mm)
- Load Capacity: 40 kg
- Stage Material : Aluminum (black anodized)
- Micrometer or adjustment screws driven at side position
- Rail : Stainless steel V-Grooved crossed roller bearing
- Metric / Imperial Versions available
- Additional lock knob can be added with extra charges
- To order Imperial model please add * I- * to Item number

Specification & Item Numbers



- **M** = Micrometer / **100** = 100 pitch screw / **130** = 130 pitch screw / **I** = To order Imperial model please add * I- * to Item number
- **VC** = Carbon Steel V-Grooved Crossed Roller Bearing

Item Number	Drive Type	Travel Guide	Repeatability (mm)	Moving Parallelism (mm)	Reading Figure (mm)	Travel Range (mm)	Weight / Load (kg)
TSS180-4	M	VC	0.003	± 0.005	0.01	± 50.0	1.31 / 40
TSS180-4A	100 / M	VC	0.003	± 0.005	---	± 50.0	1.31 / 40
TSS180-XY-4	M	VC	0.003	± 0.005	0.01	± 50.0	---
TSS180-XY-4A	100 / M	VC	0.003	± 0.005	---	± 50.0	---