



VTS -4 VTS S-4

Miniature Precision Vertical Stages

Optical Tables

Stages

Optical Mounts

Components

Motion Systems

Education Systems

Lasers

Optics & Crystals

Other Equipment




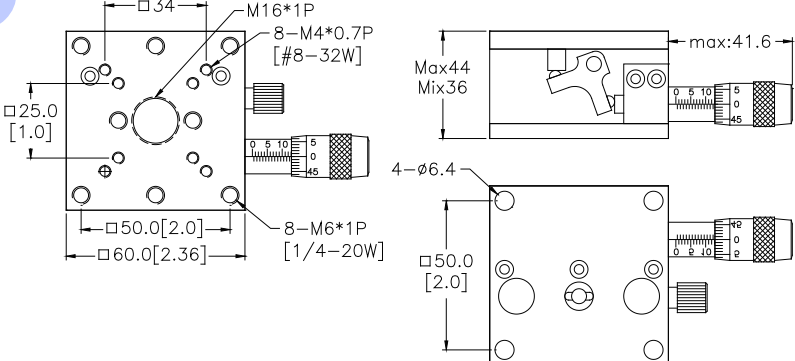
Overview

- Stage Dimension : 60 x 60 mm
- Precision Travel : ± 4 mm
- Reading Figure: 0.01 mm
- Stage Material : Aluminum
- Rail : V-grooved crossed-roller bearing
- Drive Type : Micrometer
- Compact / light weight design
- Weight: 0. 2 kg
- Load Capacity : 5 kg
- Material : aluminum with black anodized
- Metric / Imperial version available
- To order Imperial model please add * I- * to Item number

The VTS-4 / VTSS-4 miniature precision vertical stage is compact in size but able to withstand weight up to 5 kg. The leverage design allows parallel and vertical movement with lockable adjusters for higher stability. This type of stages can be used in combination with actuators and micrometers from other well-known brands.

Specification & Item Numbers





VTS - 4

Item Number	Drive Type	Travel Guide	Platform Dimension (mm)	Precision Travel (mm)	Travel Range (mm / inch)	Weight / Load (kg)
VTS-4	Micrometer	AC	60 x 60	0-8	8 (0.31")	0.2 / 5
VTSS-4	Micrometer	VC	60 x 60	0-8	8 (0.31")	0.4 / 7

• I = To order Imperial model please add * I- * to Item number / AC = Crossed Roller Bearing / VC = V-grooved crossed roller bearing