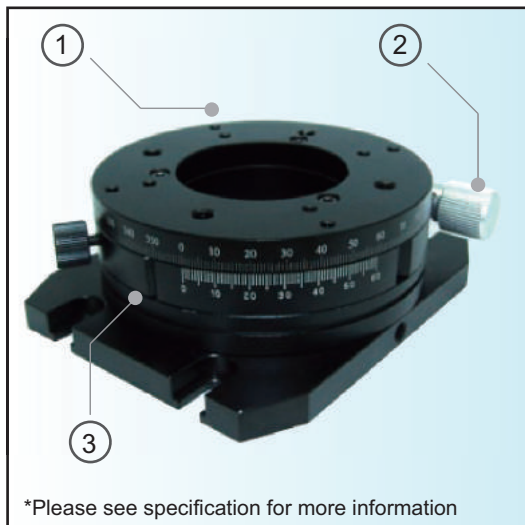


Precision Rotary Stages



*Please see specification for more information

Overview

- Stage Diameter : Ø80mm (3.15") / Ø100mm (3.94")
- Coarse Adjustment : 360° coarse rotation
- Fine Adjustment : ±5° precision adjustment
- Weight : 0.51 kg (80A) / 0.76 kg (100A)
- Load : 5 kg (80A) / 8 kg (100A)
- 360° scale graduated in 1° increments
- Screw Type : 100 pitch leadscrew
- Read Resolution : 1arc-min
- Aperture : Ø40 mm (1.58")(80A) / Ø50.8 mm (2")(100A)
- Travel Guide : V-grooved ball bearing
- Metric / Imperial version available
- Material: Aluminum
- To order Imperial model please add *-I-* to Item number

Specification & Item Numbers

1

Top Platform Plate

The top platform plate can be rotated manually for a fast, easy and rough rotation.

2

Adjustment Screw

Provides high precision movement and rotation control.

3

Gaps

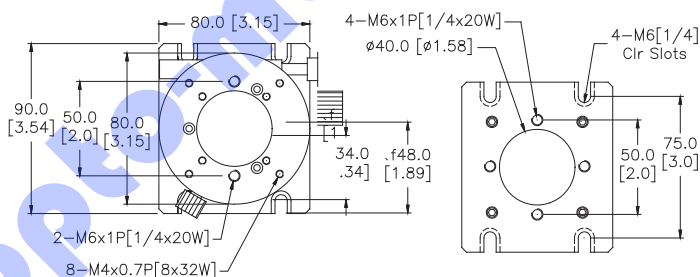
Indicates the available space left for rotation.



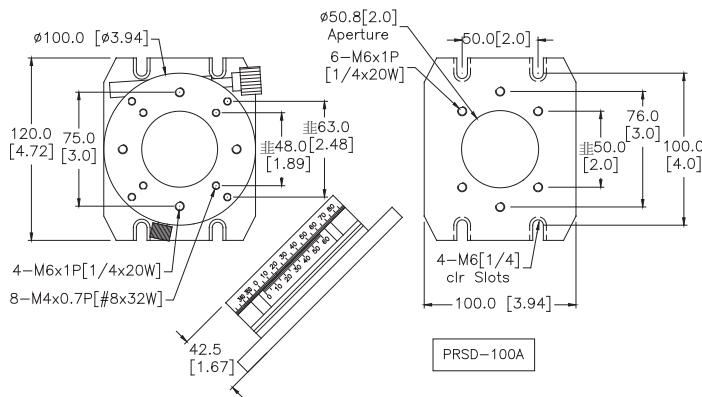
PRSD-80A



PRSD-100A



PRS-80A



PRS-100A

Item Number	Travel Guide	Rotation Range	Drive Type	Read Resolution (mm-min)	Center Hole Aperture (mm / inch)	Read Resolution (arc-min)	Weight / Load (kg)
PRSD - 80A	BB	360° cont	100	Ø 80 (3.15")	Ø 40 (1.58")	1	0.51 / 5
PRSD - 100A	BB	360° cont	100	Ø 100 (3.94")	Ø 50.8 (2")	1	0.76 / 8

• I = To order Imperial model please add *-I-* to Item number / BB = Ball Bearing / 100 = 100 pitch adjustment screw