



CM CMR

C Mount (extensive)

Optical Tables

Stages

Optical Mounts

Components

Motion Systems

Education Systems

Lasers

Optics & Crystals

Other Equipment

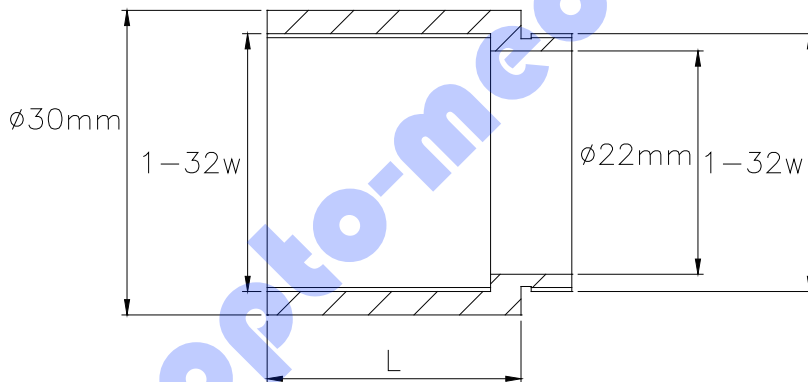


Overview

- Adapted in Kinematic Mount
- Extensively adapt kinematic optic position reach upper beam path and close the original kinematic mount optic diameter
- For * I * optic, Left or Right version. Can be applied to all C-type Kinematic

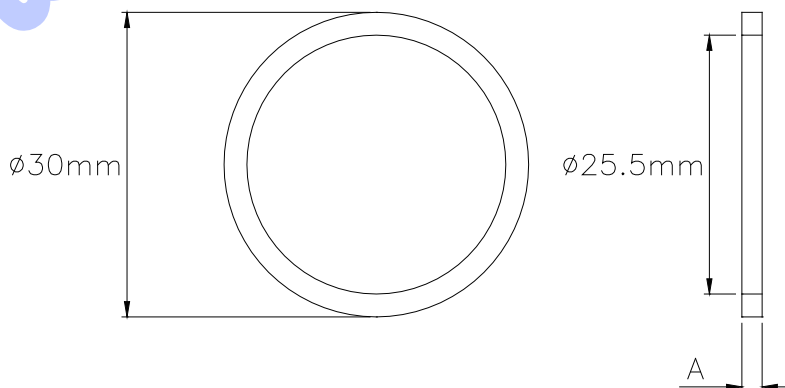
Specification & Item Numbers

CM-series



Item#	Lmm
CM-5	5
CM-10	10
CM-20	20
CM-30	30
CM-40	40
CM-50	50

CMR-series



Item#	Amm
CMR-05	0.5
CMR-1	1
CMR-2	2