



MA

# B45° Optics Mount & Angle Post

Optical Tables

Stages

Optical Mounts

Components

Motion Systems

Education Systems

Lasers

Optics & Crystals

Other Equipment

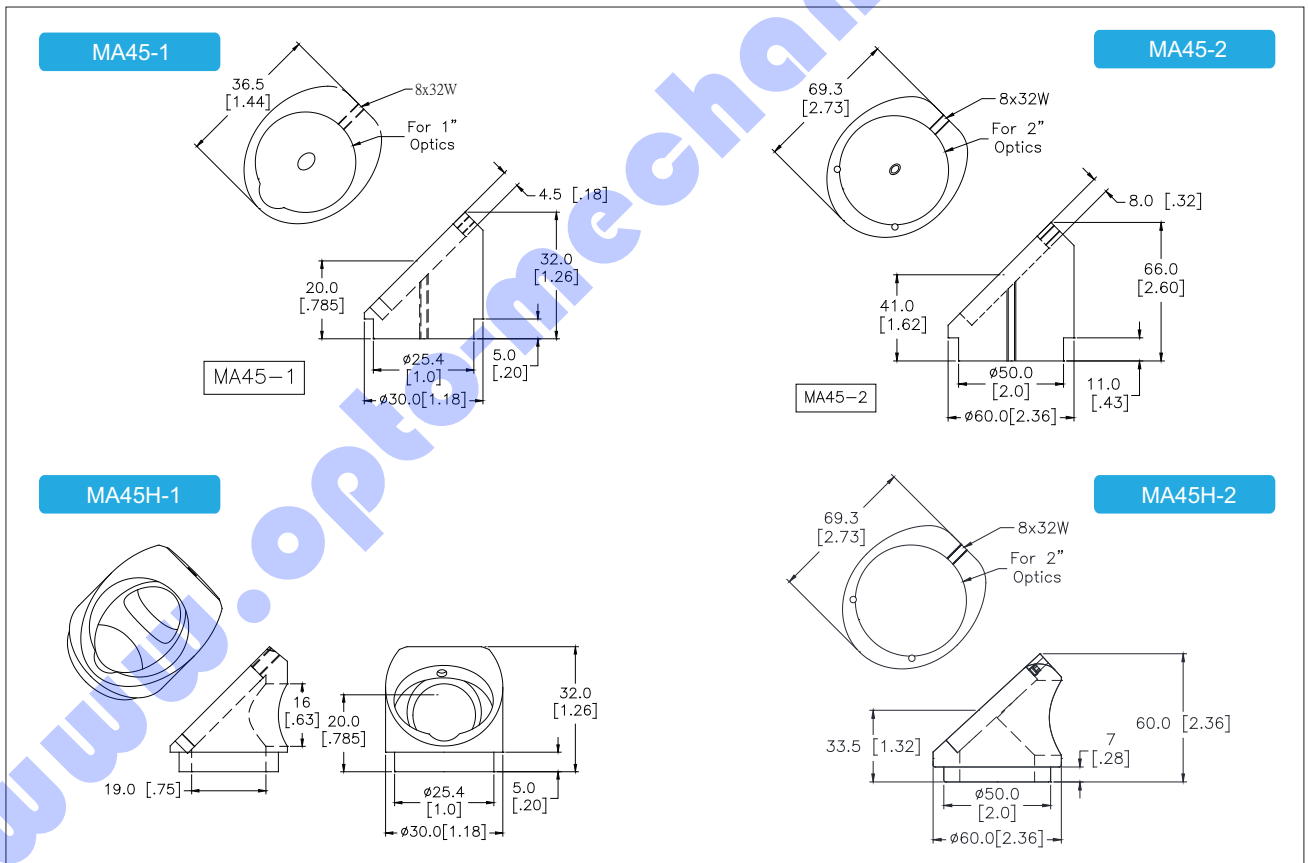


MA45-1 / MA45-2 / MA45H-1

## Overview

- For Optics: Ø 1", Ø 2"
- Add OA 1005 for fitting Ø 0.5" optics
- Angle: 45°
- Height of holder center: 0.71" (MA45-1) / 1.42" (MA45-2)
- Weight: 0.02 kg (MA45-1) / 0.24 kg (MA45-2)
- Ideal for beam steering applications
- Material: Aluminum

## Specification & Item Numbers



Item Number	Optics Diameter Ø mm (inch)	Angle	Heigh of holder Center mm (inch)	Weight (kg)
<b>MA45-1</b>	25.0(1")	45°	18(0.71")	0.02
<b>MA45-2</b>	50.0(2")	45°	36.1(1.42")	0.24
<b>MA45H-1</b>	25.0(1")	45°	18(0.71")	0.02
<b>MA45H-2</b>	50.0(2")	45°	36.1(1.42")	0.24