



LNR

Lens Holders

Optical Tables

Stages

Optical Mounts

Components

Motion Systems

Education Systems

Lasers

Optics & Crystals

Other Equipment



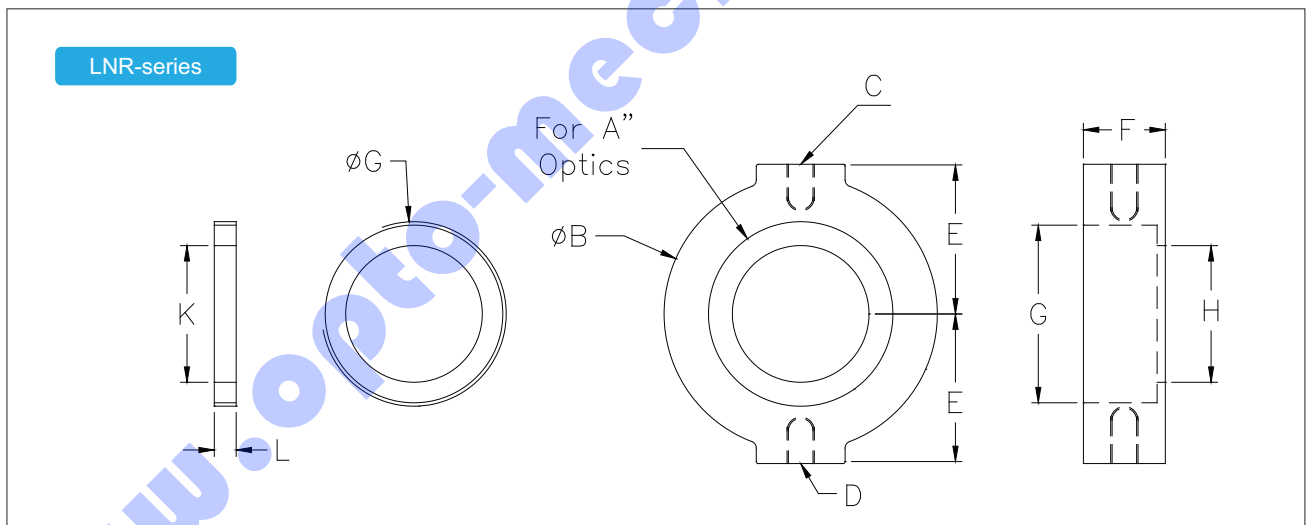
LNR-series

Overview

- For optic: Ø 0.3", 0.5", 1", 1.2", 1.5", 2", 3, 4"
- For lenses from 6.0 to 76.2 mm (0.25 ~ 3") in diameter
- Weight: 0.01~0.12 kg
- Economical and convenient lens mounting
- Teflon ring with threaded cap ring to fit various of thickness
- Material : Aluminum
- Metric Version
- 100 pitch screws available

Specification & Item Numbers

The LNR lens holder is convenient, inexpensive alternatives to our full-featured opto-mechanical mounts. Ideal for post-mounted and OEM level applications where adjustment is not required after initial position. Optics can be expected to be securely mounted via it's unique Retaining Ring design.



Item Number	A mm (inch)	B mm (inch)	C mm (inch)	D mm (inch)	E mm (inch)	F mm (inch)	G mm (inch)	ØH mm (inch)	ØK mm (inch)	ØL mm (inch)	Weight
LNR-03	6.0 (25")	18.0 (0.71")	M4x0.7P (8x32w)	M4x0.7P (8x32w)	10.0 (0.34")	9.5 (0.37")	M9x0.75P	5.0 (0.20")	5.0 (0.20")	2.5 (0.10")	0.01
LNR-05	12.5 (5")	23.0 (0.91")	M4x0.7P (8x32w)	M4x0.7P (8x32w)	14.0 (0.55")	9.5 (0.37")	M13.5x0.75P	9.0 (0.35")	9.0 (0.35")	3.0 (0.12")	0.02
LNR-1	25.0 (1.0")	40.0 (1.58")	M4x0.7P (8x32w)	M6x1P (1/4x20w)	22.0 (0.87")	12.0 (0.47")	M27x1P	23.0 (0.91")	20.0 (0.79")	3.0 (0.12")	0.02
LNR-1.2	30.0 (1.2")	40.0 (1.58")	M4x0.7P (8x32w)	M6x1P (1/4x20w)	22.0 (0.87")	12.0 (0.47")	M31x1P	26.0 (1.02")	25.0 (0.97")	3.0 (0.12")	0.04
LNR1.5	38.0 (1.5")	56.0 (2.2")	M4x0.7P (8x32w)	M6x1P (1/4x20w)	30.0 (1.18")	12.0 (0.47")	M39x0.75P	36.0 (1.41")	32.0 (1.25")	3.5 (0.14")	0.04
LNR-2	50.0 (2.0")	65.0 (2.56")	M6x1P (1/4x20w)	M6x1P (1/4x20w)	34.0 (1.34")	15.0 (0.59")	M52x1P	48.0 (1.89")	44.0 (1.37")	3.5 (0.14")	0.05
LNR-3	75.0 (3.0")	96.0 (3.78")	M6x1P (1/4x20w)	M6x1P (1/4x20w)	50.8 (2.0")	21.0 (0.53")	M78x1P	73.0 (2.88")	68.0 (2.67")	4.0 (0.16")	0.12
LNR-4	100 (4")	120 (4.72")	M6xP1 (1/4x20w)	M6xP1 (1/4x20w)	63.5 (2.5")	15.0 (0.59")	M101x1P	97 (3.81")	97 (3.81")	4.0 (0.15")	0.14
LNR-MO	Microscope Objectives	40.0 (l)	M4x0.7P (8x32w)	M6x1P (1/4x20w)	22.0 (0.87")	12.0 (0.47")	0.8"x36W Through hole	--	--	--	0.02

