



BC

# Base Clamps

Optical Tables

Stages

Optical Mounts

Components

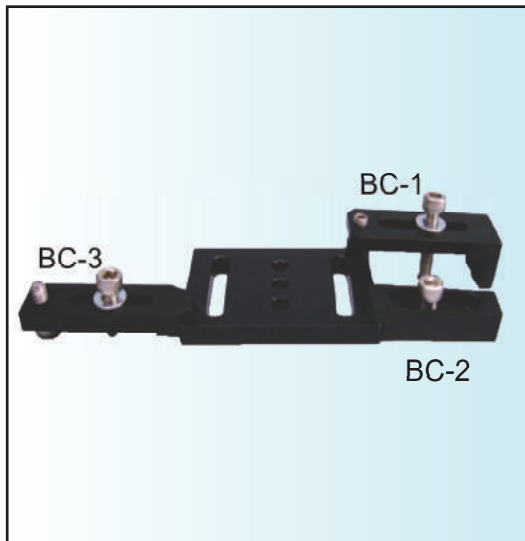
Motion Systems

Education Systems

Lasers

Optics & Crystals

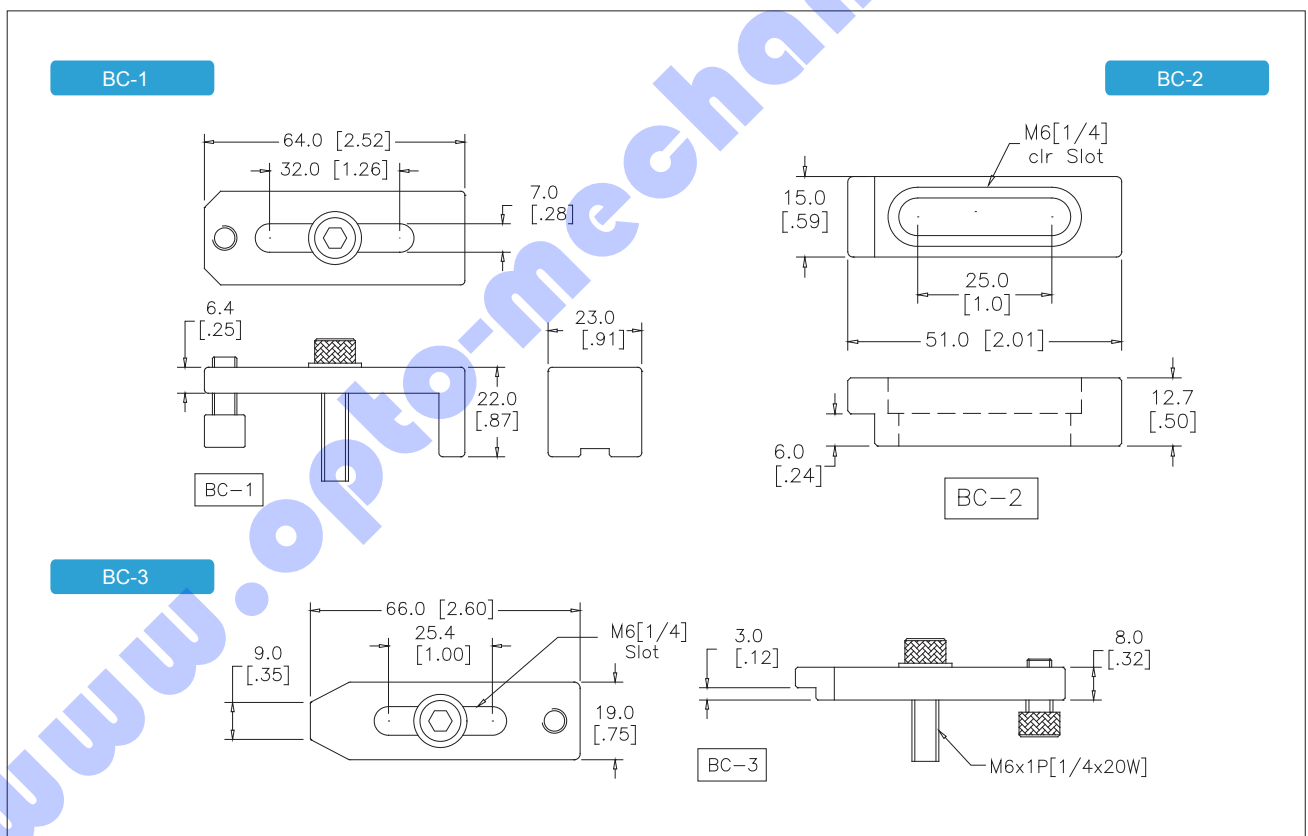
Other Equipment



## Overview

- Using in combination with SB-series sliding bases
- Material: Aluminum (Black anodized)
- Metric / Imperial Version
- To order Imperial model please add \* I- \* to Item

## Specification & Item Numbers



## Item Numbers

Item Number	Can be used thickness mm (inch)	Thickness mm (inch)	Weight (kg)
BC-1	6~16 (0.24~0.63")	22 (0.87")	0.04
BC-2	5~10 (0.2~0.4")	12.7 (0.5")	0.03
BC-3	6~16 (0.87")	22 (0.87")	0.04