

# Rod Clamps

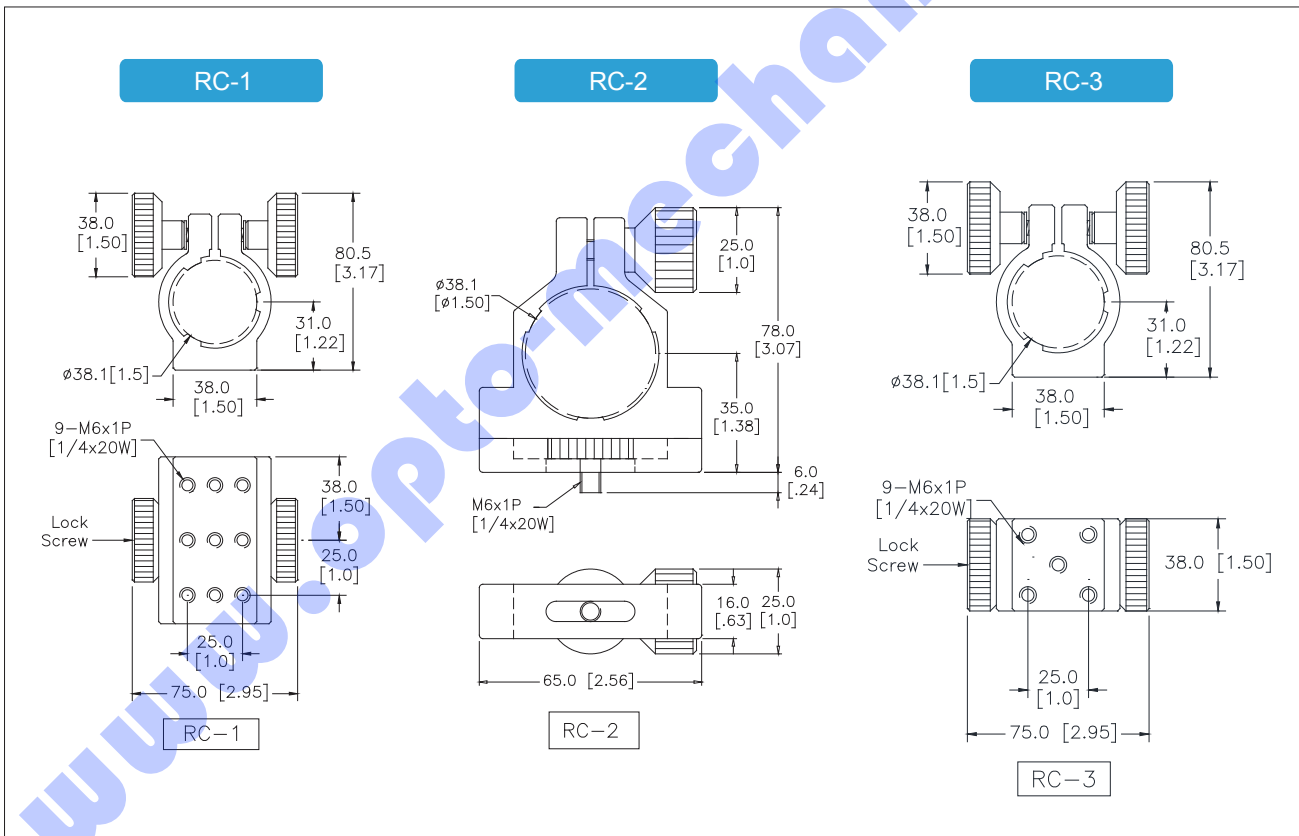


## Overview

- Compatible for SRA-series solid rods
- Material: Aluminum
- Metric / Imperial Version
- To order Imperial model please add \* I - \* to Item



## Specification & Item Numbers



## Item Numbers

Item Number	Diameter $\phi$ C mm (inch)	Stage surface mm (inch)	Screw Hole
RC-1	38.1 (1.5")	38x76 (1.5x3")	M6x1P (1/4-20W)
RC-2	38.1 (1.5")	16x65 (0.63x2.56")	M6x1P (1/4-20W)
RC-3	38.1 (1.5")	38x38 (1.5x1.5")	M6x1P (1/4-20W)