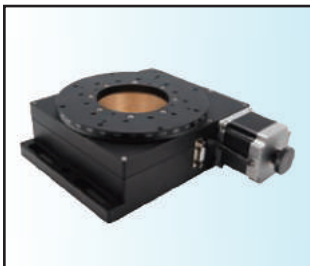
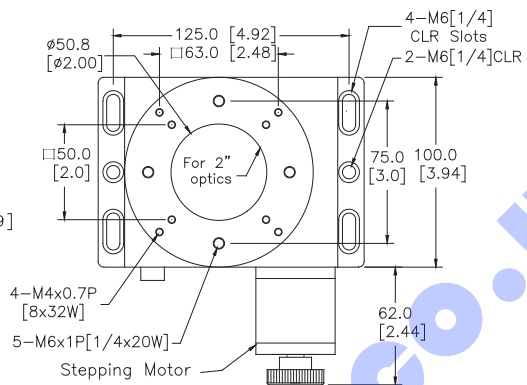
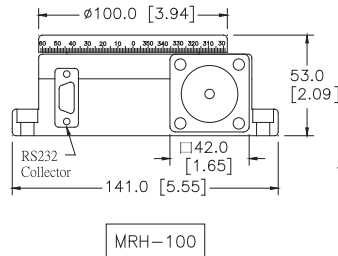


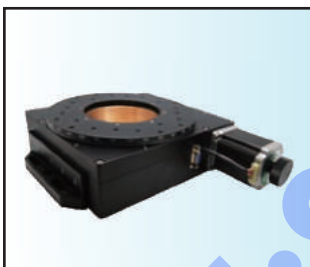
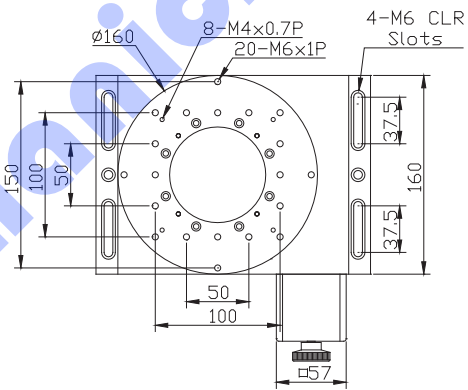
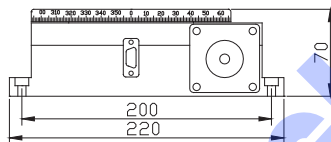
MRH-100

MRH-100



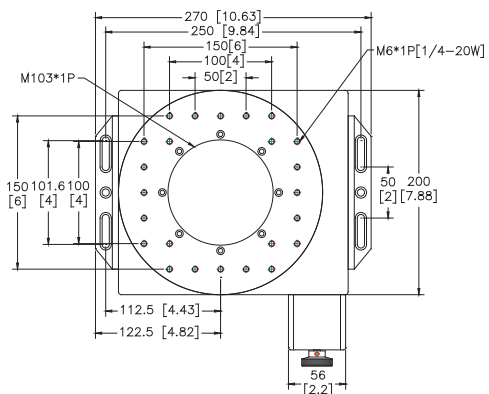
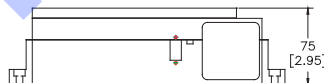
MRH-160

MRH-160



MRH-200

MRH-200



Item Number	Platform Ø (mm)	Load Capacity (kg)	Resolution ($^{\circ}$)	Repeatability \pm ($^{\circ}$)	Straightness Parallelism \pm (mm)	Weight (kg)
MR-66	66 (2.6")	10	0.0025	0.0025	0.02	1.2
MRH-46	46 (1.81")	5	0.0025	0.0025	0.02	0.43
MRH-100	100 (3.94")	15	0.00125	0.00125	0.02	2.5
MRH-160	160 (6.3")	20	0.00125	0.00125	0.25	7
MRH-200	200 (7.9")	30	0.00125	0.00125	0.25	11.2