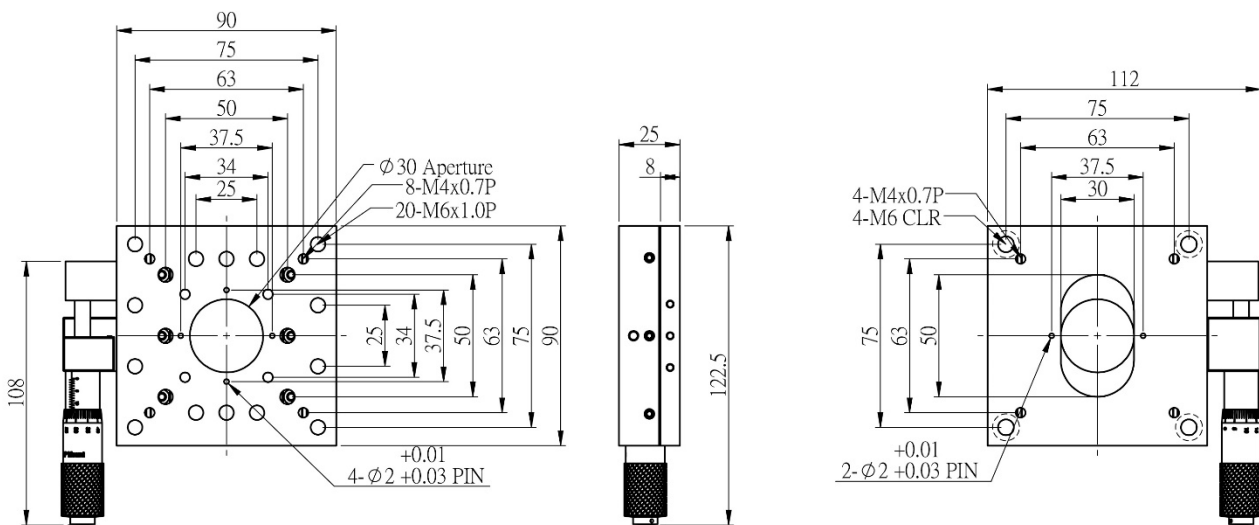


TSS90H-1 SERIES

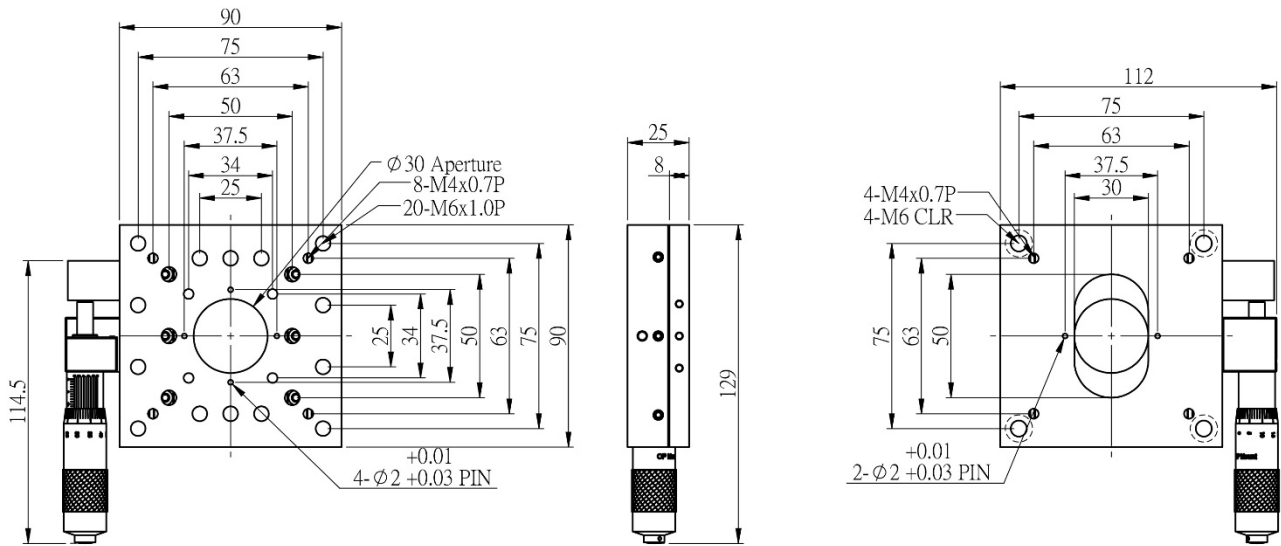
Precision and Stable Linear Stage, 1" Travel Series. Designed with side locks, this one-piece structure allows a thinner body and an excellent orthogonality and the $\varnothing 36\text{mm}$ central aperture can provide enough space for the light beams.

ITEM	PLATFORM SIZE	ACTUATORS	AXIS	TRAVEL	STRAIGHTNESS	PARALLELISM	RESOLUTION	LOAD
TSS90HX-1	90x90mm	Micrometer	X	12.5mm	10um	7.5um	10um	
TSS90HX-1V	90x90mm	Micrometer	X	12.5mm	10um	7.5um	1um	
TSS90HX-1A	90x90mm	100TPI	X	12.5mm	10um	7.5um	NA	
TSS90HXY-1	90x90mm	Micrometer	XY	12.5mm	10um	7.5um	10um	
TSS90HXY-1V	90x90mm	Micrometer	XY	12.5mm	10um	7.5um	1um	
TSS90HXY-1A	90x90mm	100TPI	XY	12.5mm	10um	7.5um	NA	

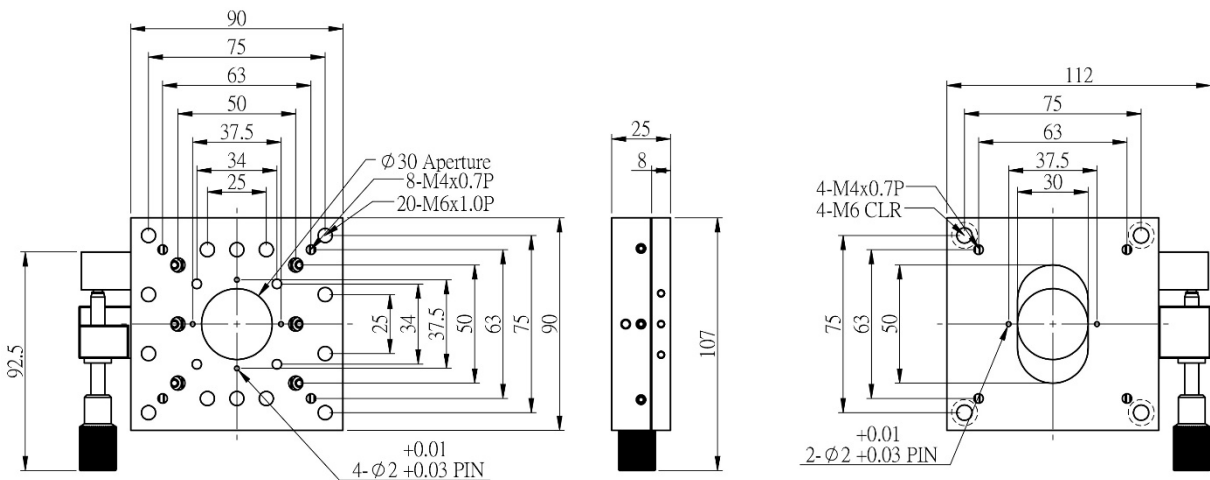
TSS90HX-1



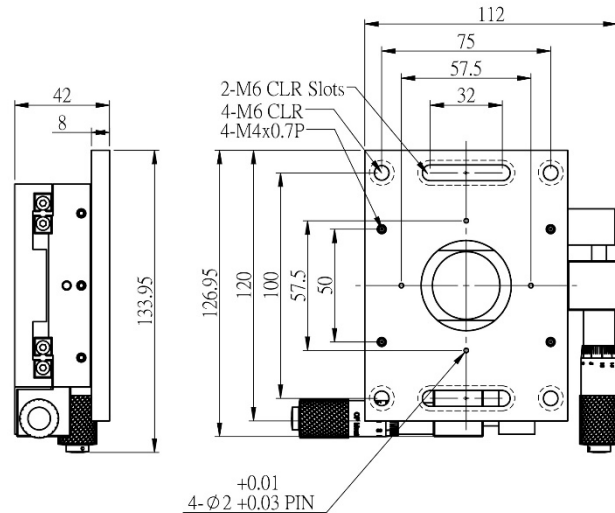
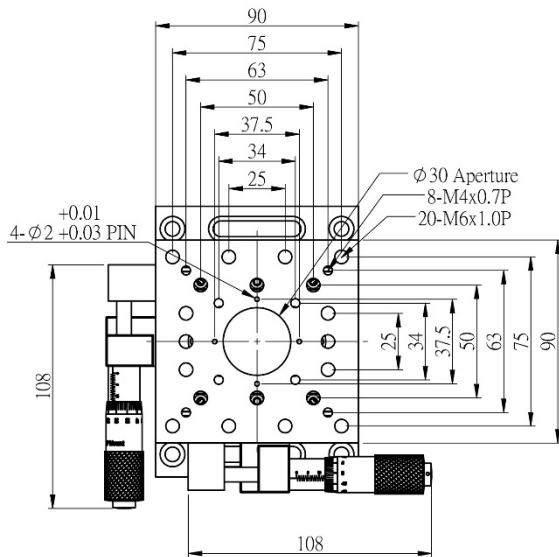
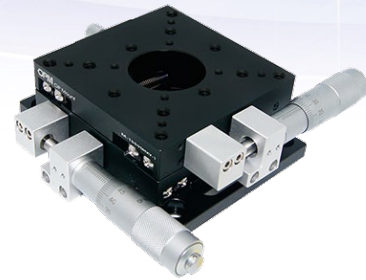
TSS90HX-1V



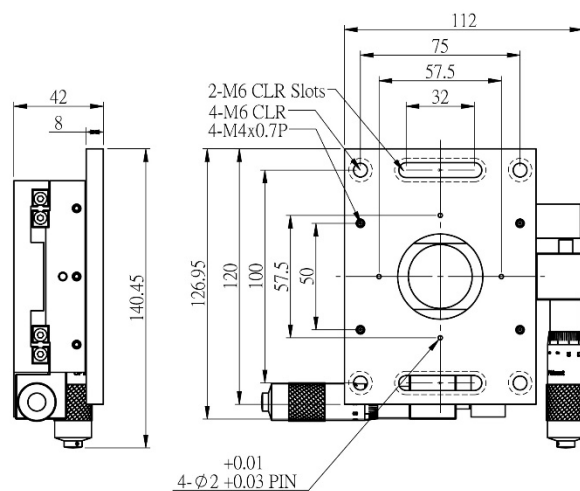
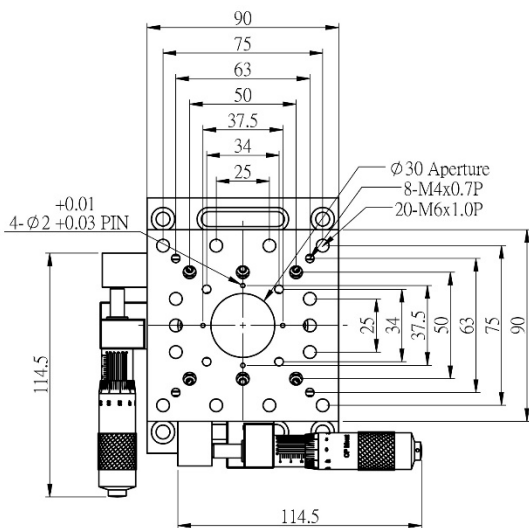
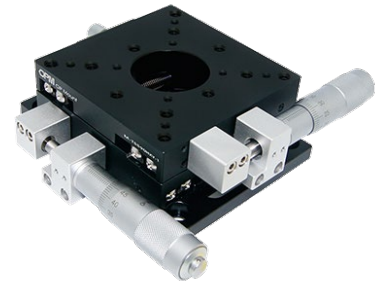
TSS90HX-1A



TSS90HXY-1



TSS90HXY-1V



TSS90HXY-1A

