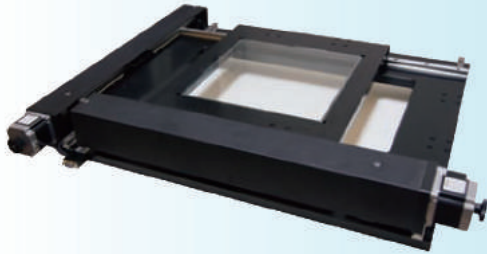




JTH

# Microscope Motorized Linear Stages

NEW



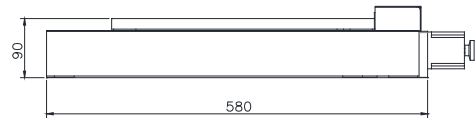
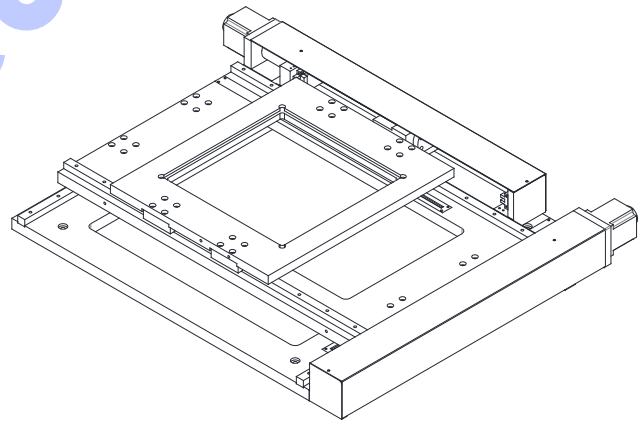
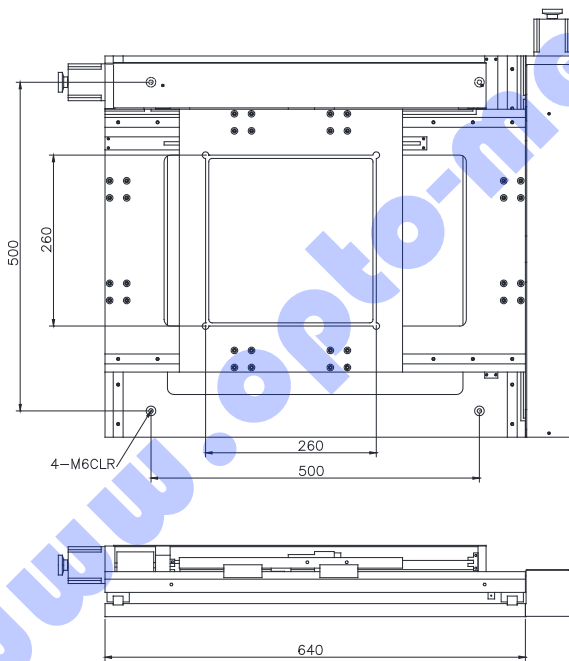
JTH640-350  
Center Aperture : Squared Glass

## Overview

- JT640-350 (Solid Platform)
- JTH640-350 (Center Aperture: Squared Glass)
- Center Glass Dimension: 260 x 260 mm
- High accuracy and great smoothness
- Can add linear encoder
- Metric / Imperial Version available
- Customized specifications upon request
- Can choose higher precision ballscrew (C1~C10), refer to page E. 06
- To order Imperial model please add \*-I-\* to item

## Specification & Item Numbers

JTH640-350



## Item Numbers

- The **H** after the platform dimension = multi-home design

Item Number	Travel Range (mm)	Platform Dimensions (mm)	Load Capacity (kg)	Resolution (um)	Repeatability ±(um)	Position Accuracy ±(um)	Straightness ±(mm)	Weight (kg)
JTH640-350	350	400 x 340	20	2.5	±2.5	±0.05	±0.03	30
JTH640H-350	350	400 x 340	20	2.5	±2.5	±0.05	±0.03	30

