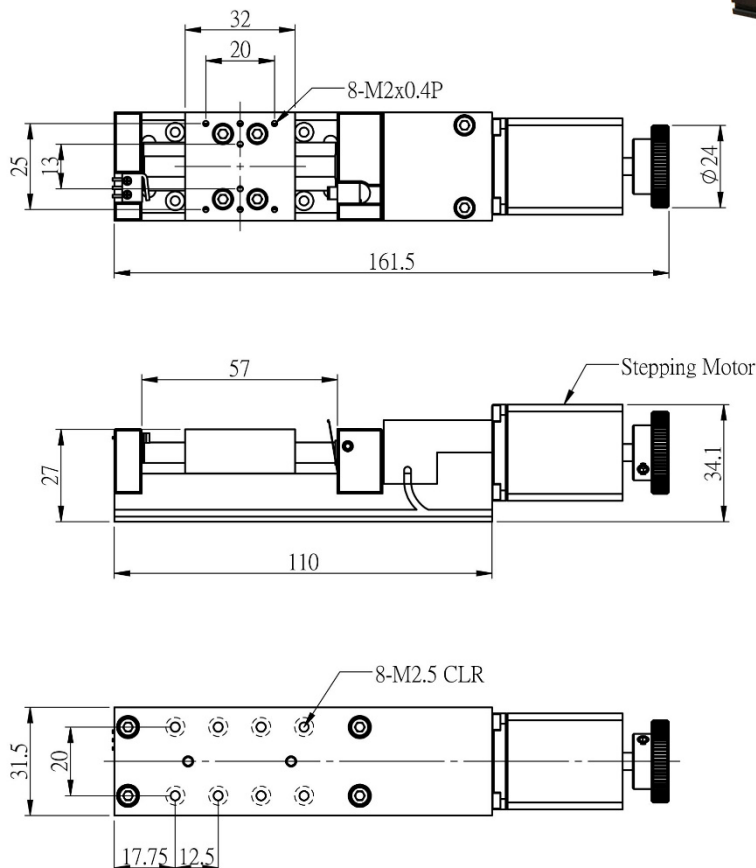


## MMT32-A-SERIES

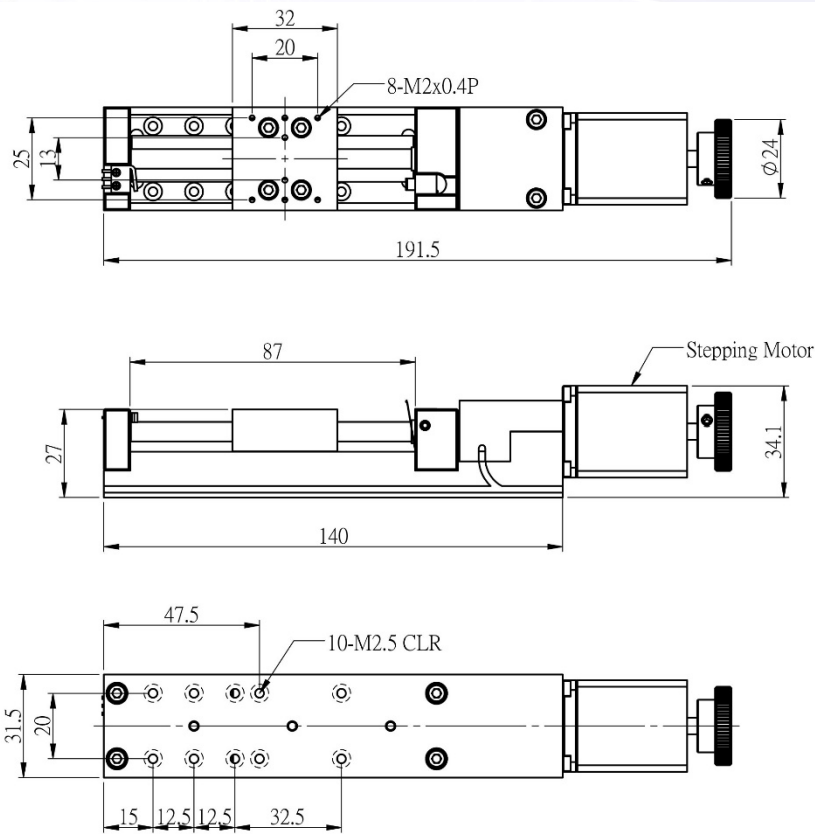
Constructed by ball bearing linear guide and precision screw. A compact design with low prices, high precision feature and shorter length.

ITEM	PLATFORM	TRAVEL RANGE	RESOLUTION	POSITIONING ACCURACY	REPEATABILITY	LOADING	WEIGHT
MMT32-20A	32x32mm	20mm	0.5um	20um/mm	10um	5kg	0.6kg
MMT32-50A	32x32mm	50mm	0.5um	20um/mm	10um	5kg	0.7kg
MMT32-100A	32x32mm	100mm	0.5um	20um/mm	10um	5kg	0.8kg

### M-MMT32-20A



## M-MMT32-50A



## M-MMT32-100A

