

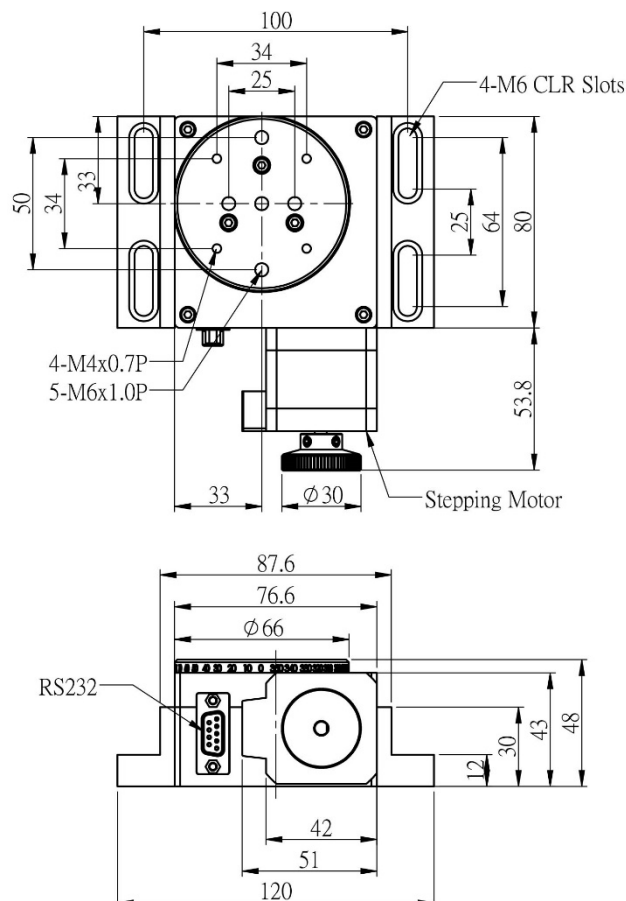
MR-SERIES

When using the STPHP and STPHF micro-stepping motor controller the MRH can provide arc-second resolution. With an upper and lower precision bearing structure, it has good performance in concentricity and includes home sensor.

- The MR-66 rotates every 90 turns of the stepper motor
- The MR-100 rotates every 180 turns of the stepper motor

ITEM	PLATFORM	RESOLUTION 1600 Rev	REPEATABILITY	LOADING	WEIGHT
MR-66	Φ66mm	0.0025°	±0.0025°	7.5kg	1.5kg
MRH-100	Φ100mm	0.0025°	±0.0025°	10kg	2.2kg

M-MR-66



M-MR-100

