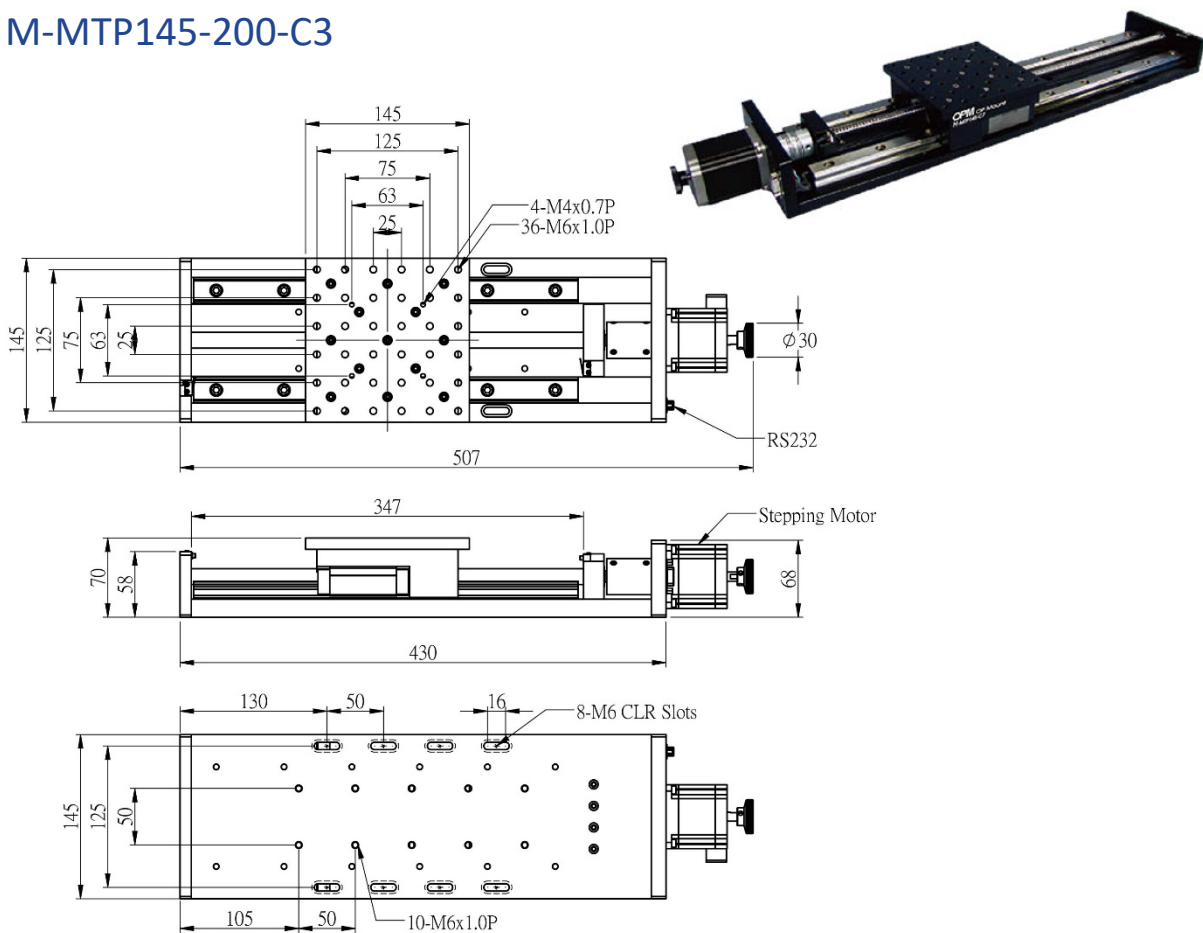


## MTP145-C3-SERIES

An MTP motorized linear stage supported by ball bearing linear guide. Optimized for high load capacity, high resolution and smooth movement. Different from the trapezoidal screw, the ball screw provides low backlash, low wear and high positioning accuracy.

ITEM	PLATFORM	TRAVEL RANGE	RESOLUTION	POSITIONING ACCURACY	REPEATABILITY	LOADING	WEIGHT
MTP145-200-C3	145x145mm	200mm	2.5um	±4um/300mm	±2.5um	30kg	11.7kg
MTP145-300-C3	145x145mm	300mm	2.5um	±4um/300mm	±2.5um	30kg	12.5kg

### M-MTP145-200-C3



# M-MTP145-300-C3

