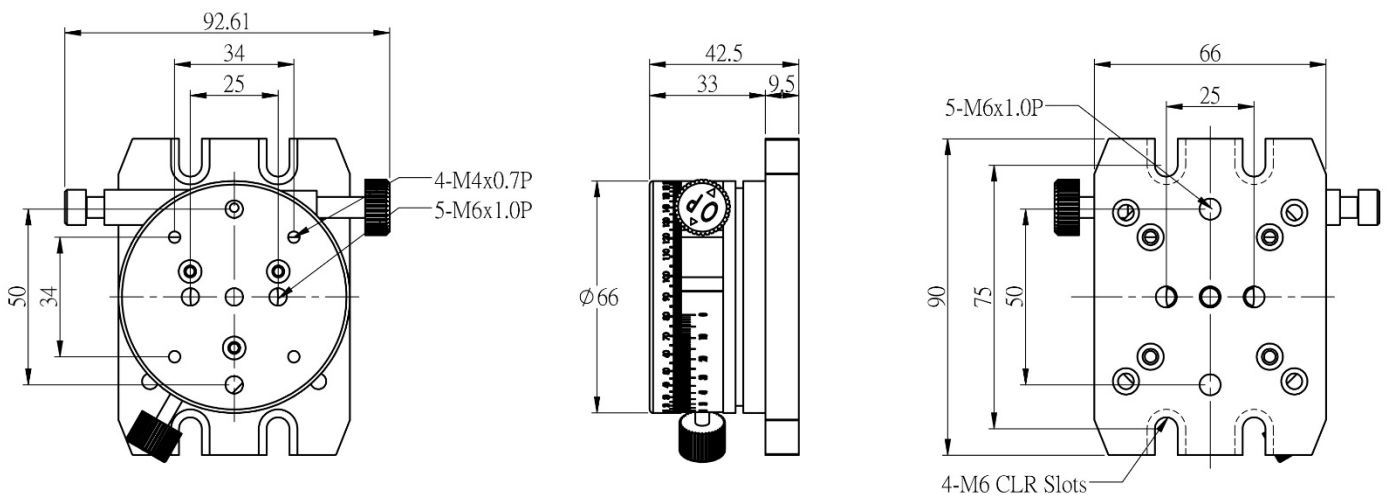


PRS-SERIES

Precision Rotation Stages. 360 degrees coarse adjustment and fine adjustment within 10 degrees.

ITEM	PLATFORM SIZE	ACTUATORS	AXIS OF TRAVEL	ECCENTRICITY	COARSE ADJUSTMENT	FINE ADJUSTMENT	VERNIER SCALE	WEIGHT
PRS-66A	Φ 66mm	100TPI	Ø	25um	360°	5°	0.1°	
PRS-80A	Φ 80mm	100TPI	Ø	25um	360°	5°	0.1°	

PRS-66A



PRS-80A

