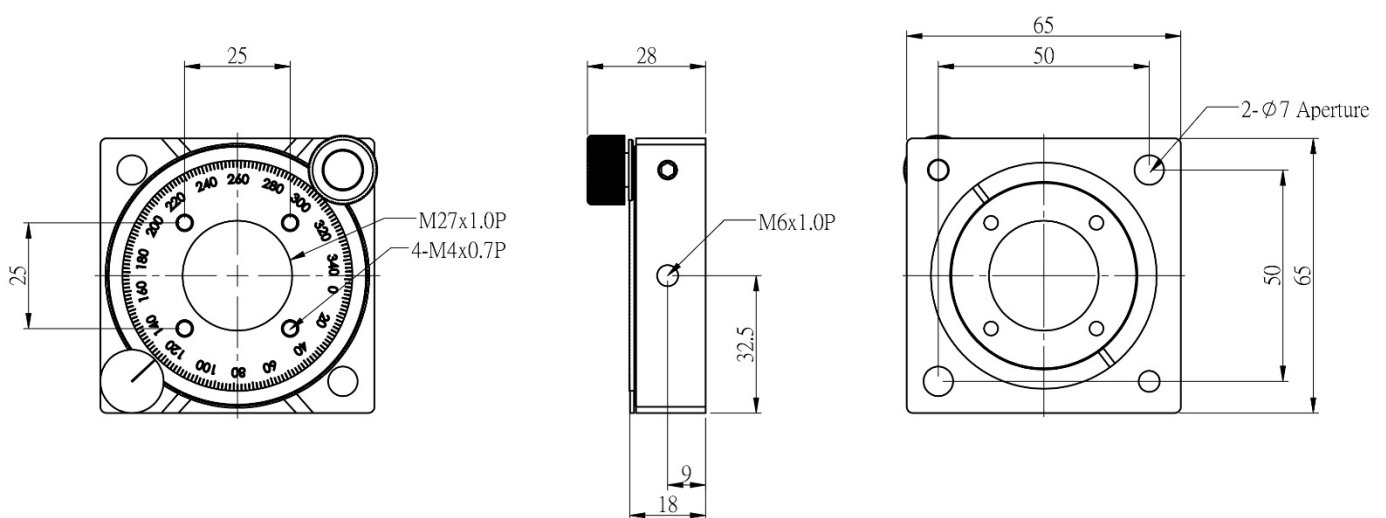


## RSD-SERIES

Standard Rotation Stages with 360 degrees rotation. It can fit 1" and 2" polarizers and waveplates

ITEM	PLATFORM SIZE	ACTUATORS	CENTRE APERTURE	AXIS OF TRAVEL	ECCENTRICITY	COARSE ADJUSTMENT	VERNIER SCALE	WEIGHT
RSD-1	Φ 50.8mm	Gear	Φ 25.4mm	Ø	25um	360°	0.1°	
RSD-2	Φ 76.2mm	Gear	Φ 50.8mm	Ø	25um	360°	0.1°	

### RSD-1



# RSD-2

