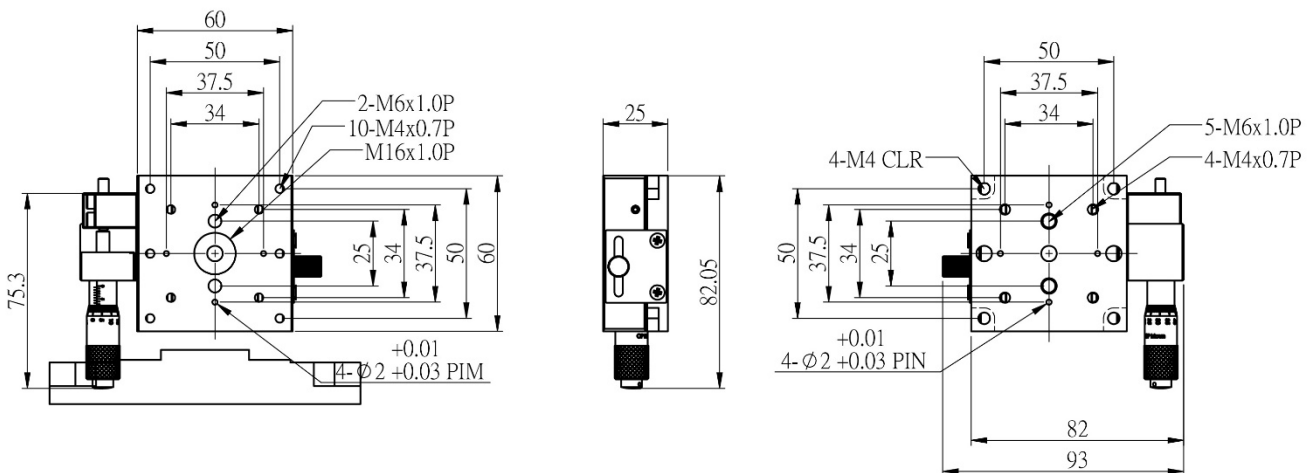
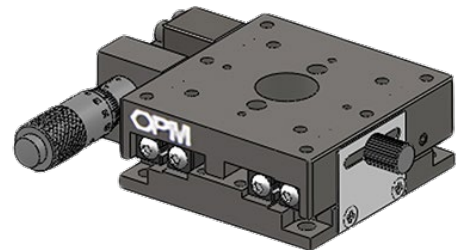


## STSS60-SERIES

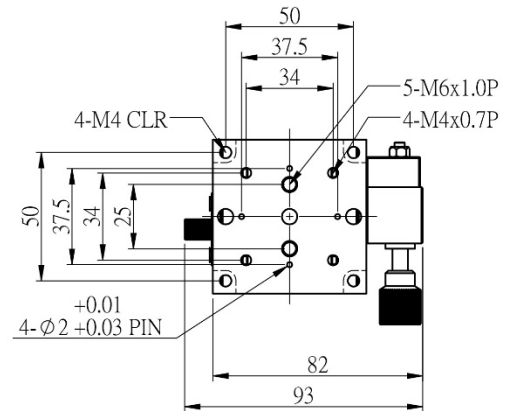
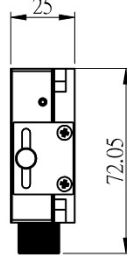
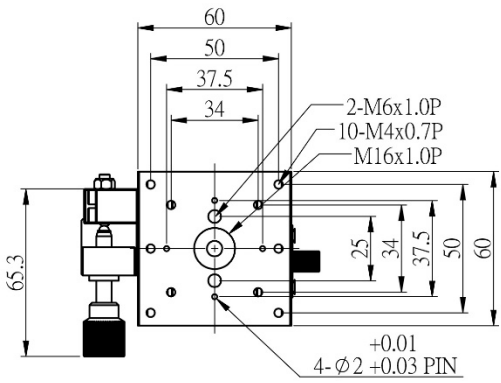
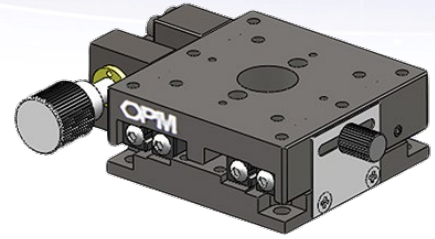
Stainless Precision Linear Stage, 0.5" Travel Series, stainless steel. The centre of the table has an M16 threaded hole with an array of M6 threaded holes – with which, most Optical components can be combined. In addition is the resolution of 10um spiral side micro-drive, which can also be installed outside the precision screw and the resolution of 5um spiral side micro-head.

ITEM	PLATFORM SIZE	ACTUATORS	AXES OF TRAVEL	TRAVEL	ROTATION CENTRE HEIGHT	WEIGHT
STSS60X-05						
STSS60X-05A						
STSS60X-05P						
STSS60XY-05						
STSS60XY-05A						
STSS60XY-05P						
STSS60XYZ-05						
STSS60XYZ-05A						
STSS60XYZ-05P						

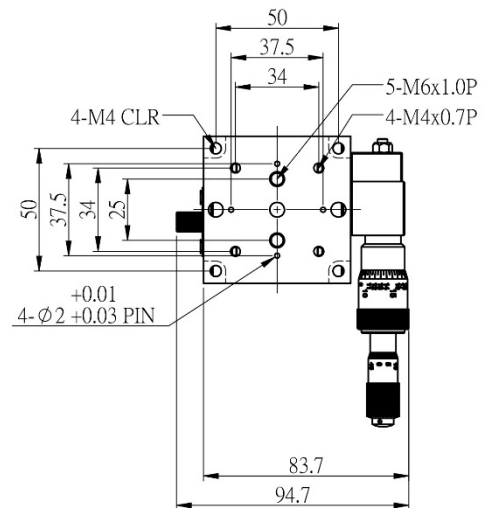
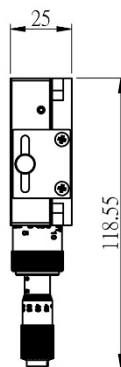
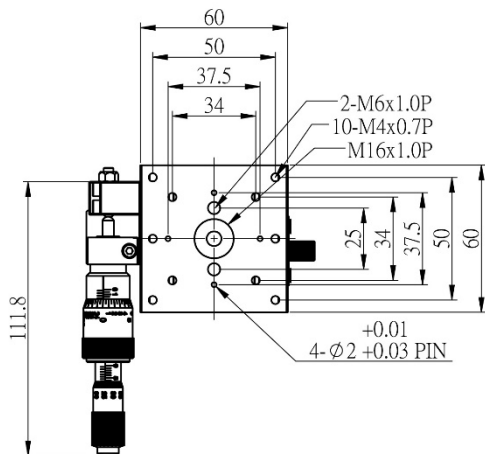
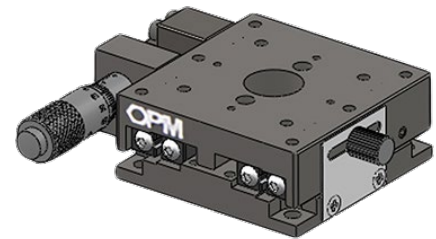
### STSS60X-05



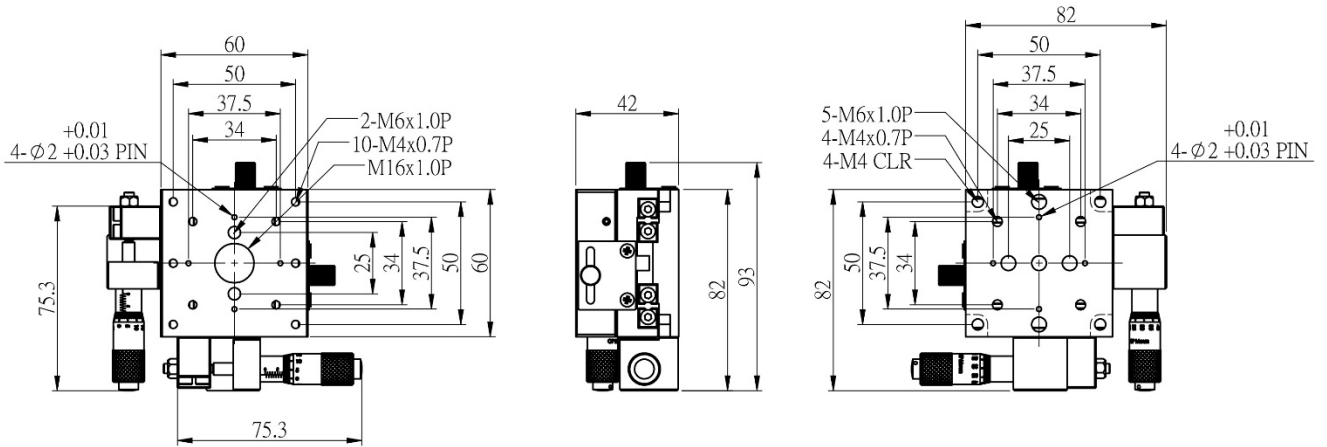
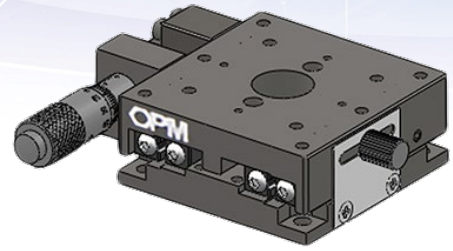
# STSS60X-05A



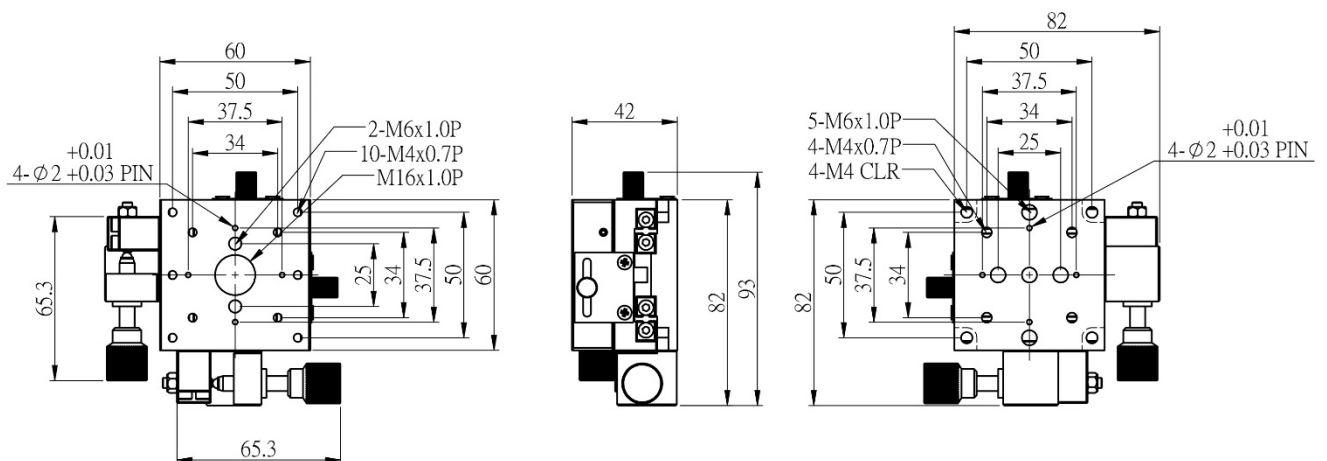
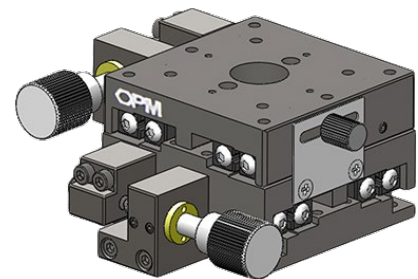
# STSS60X-05P



# STSS60XY-05

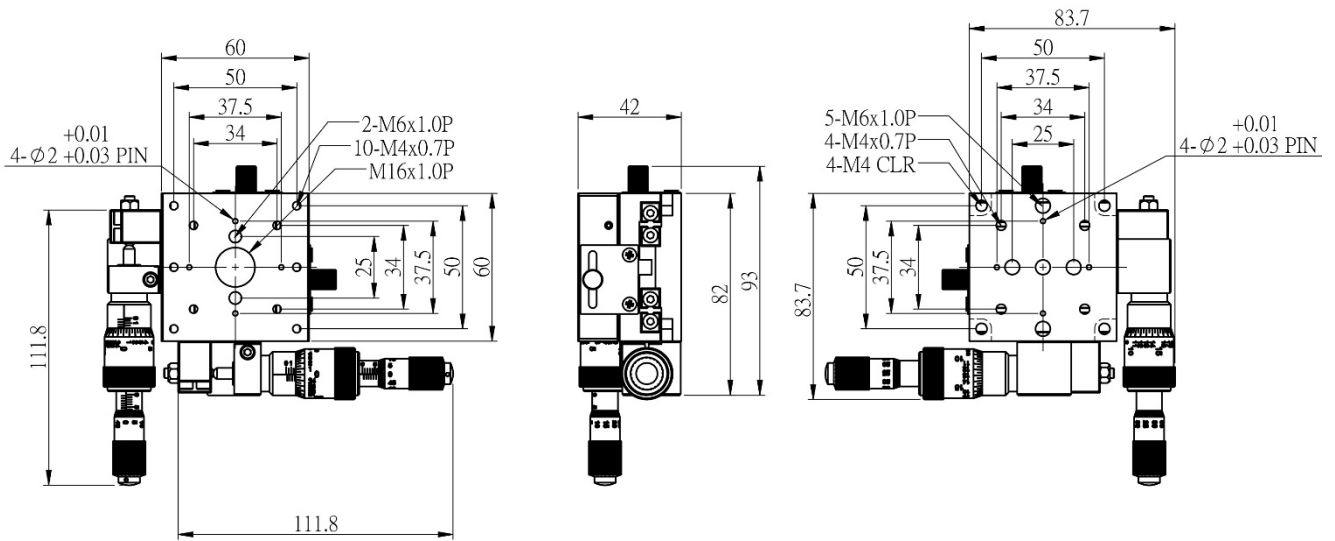
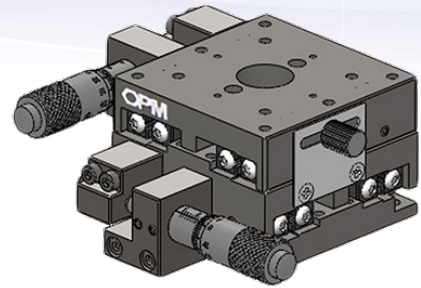


# STSS60XY-05A

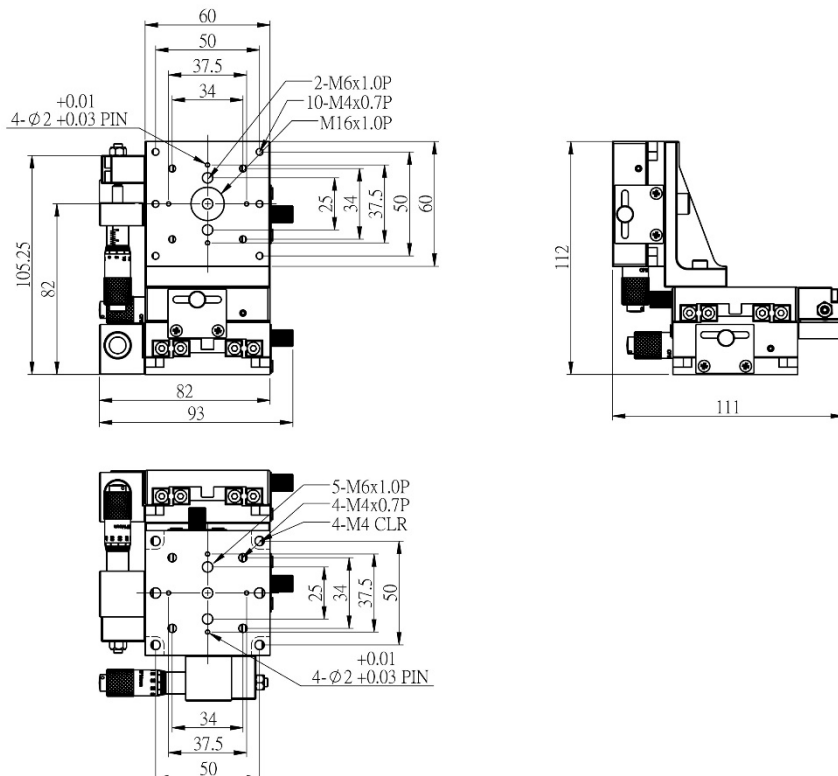
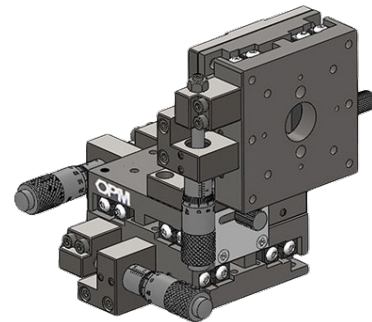




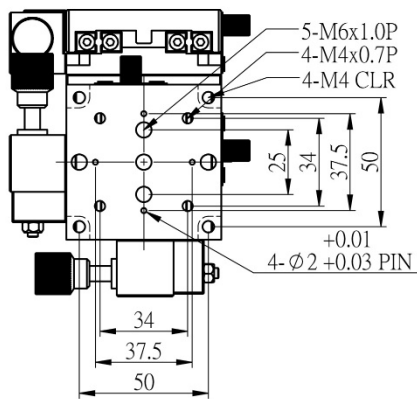
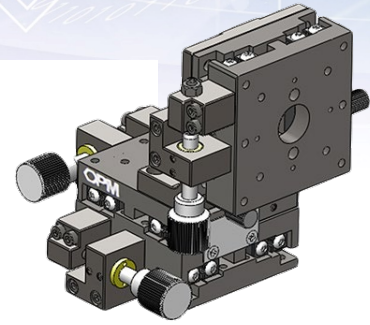
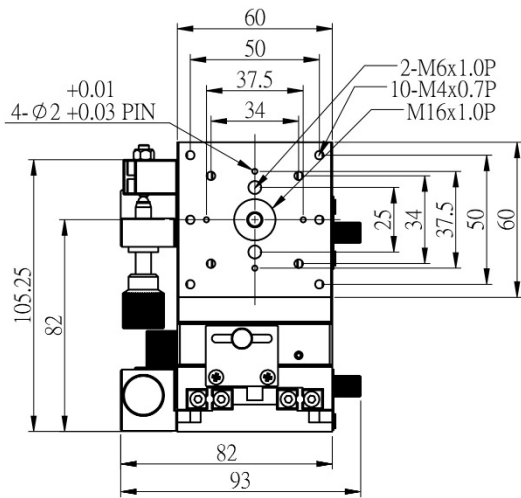
# STSS60XY-05P



# STSS60XYZ-05



## STSS60XYZ-05A



## STSS60XYZ-05P

