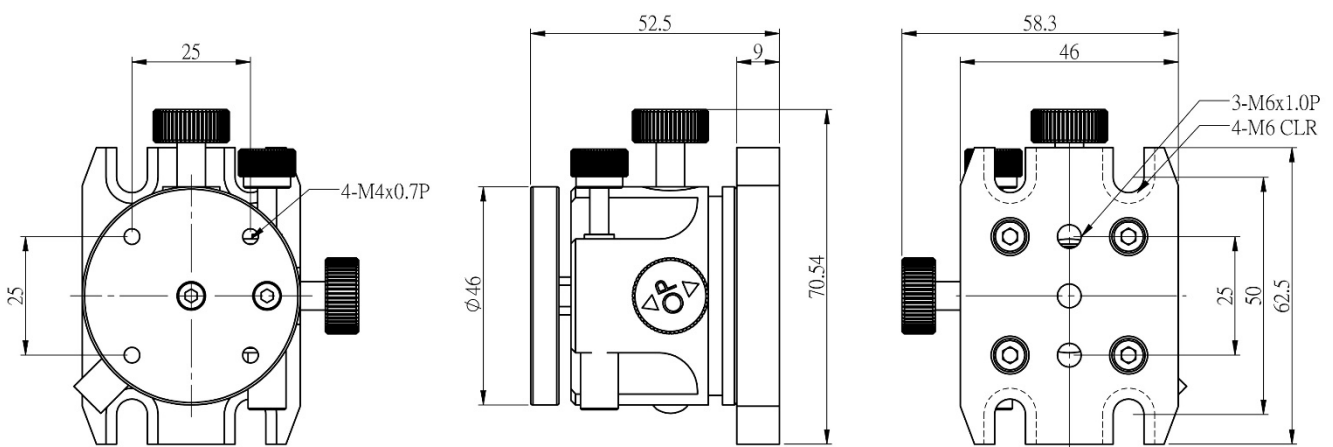


TRS-SERIES

The TRS series allows pitch, yaw, and roll adjustment, ± 5 degrees. It can be combined with MC-1, MC-2 or other components.

ITEM	PLATFORM SIZE	ACTUATORS	AXES OF TRAVEL	Θ_x TRAVEL	Θ_y TRAVEL	Θ_z TRAVEL	LOAD
TRS-1	$\Theta = 46.0\text{mm}$	100 TPI	$\Theta_x \Theta_y \Theta_z$	10°	10°	6°	
TRS-2	$\Theta = 80.0\text{mm}$	100 TPI	$\Theta_x \Theta_y \Theta_z$	10°	10°	6°	

TRS-1



TRS-2

