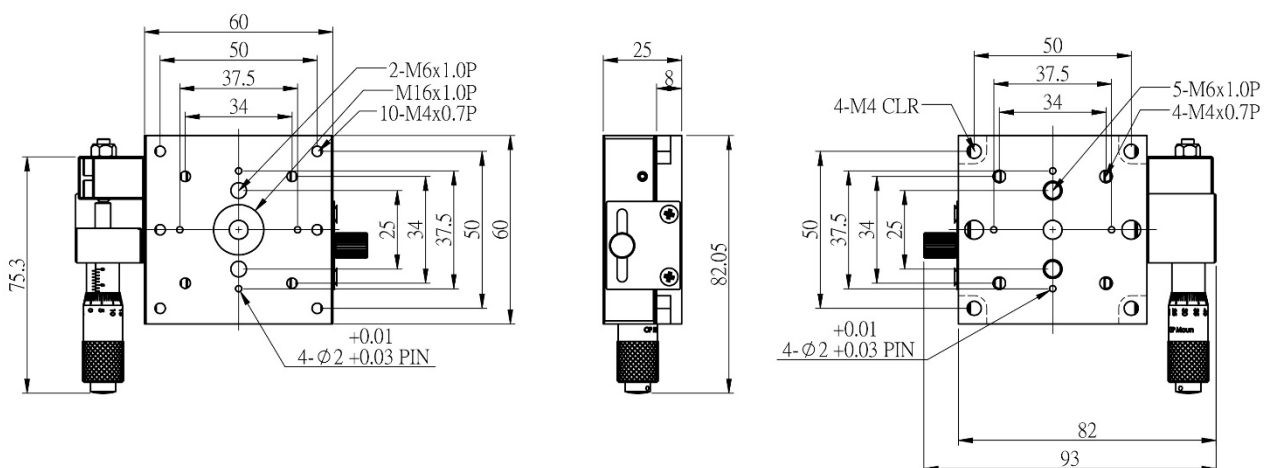


TSS60-05 SERIES

Precision and Stable Linear Stage, 0.5" Travel Series. Designed with hard anodized surface and precision positioning pins, which offers less than 2 mrad orthogonal error.

ITEM	PLATFORM SIZE	ACTUATORS	AXIS	TRAVEL	STRAIGHTNESS	PARALLELISM	RESOLUTION	LOAD
TSS60X-05	60x60mm	Micrometer	X	6.5mm	7.5um	5um	10um	
TSS60XY-05	60x60mm	100 TPI	XY	6.5mm	7.5um	5um	10um	

TSS60X-05



TSS60XY-05

